

# Approval Sheet

## (產品承認書)

|                  |                                                                              |
|------------------|------------------------------------------------------------------------------|
| 產品名稱 (Product)   | <u>Bluetooth Low Energy Module</u>                                           |
| 解決方案 (Solution)  | <u>Nordic nRF52840 aQFN Package</u>                                          |
| 產品型號 (Model No.) | <u>MDBT50Q – 1MV2 (Chip Antenna)</u><br><u>MDBT50Q – P1MV2 (PCB Antenna)</u> |
| 產品料號 (Part No.)  | <u>see <a href="#">4.3 Order Code</a></u>                                    |

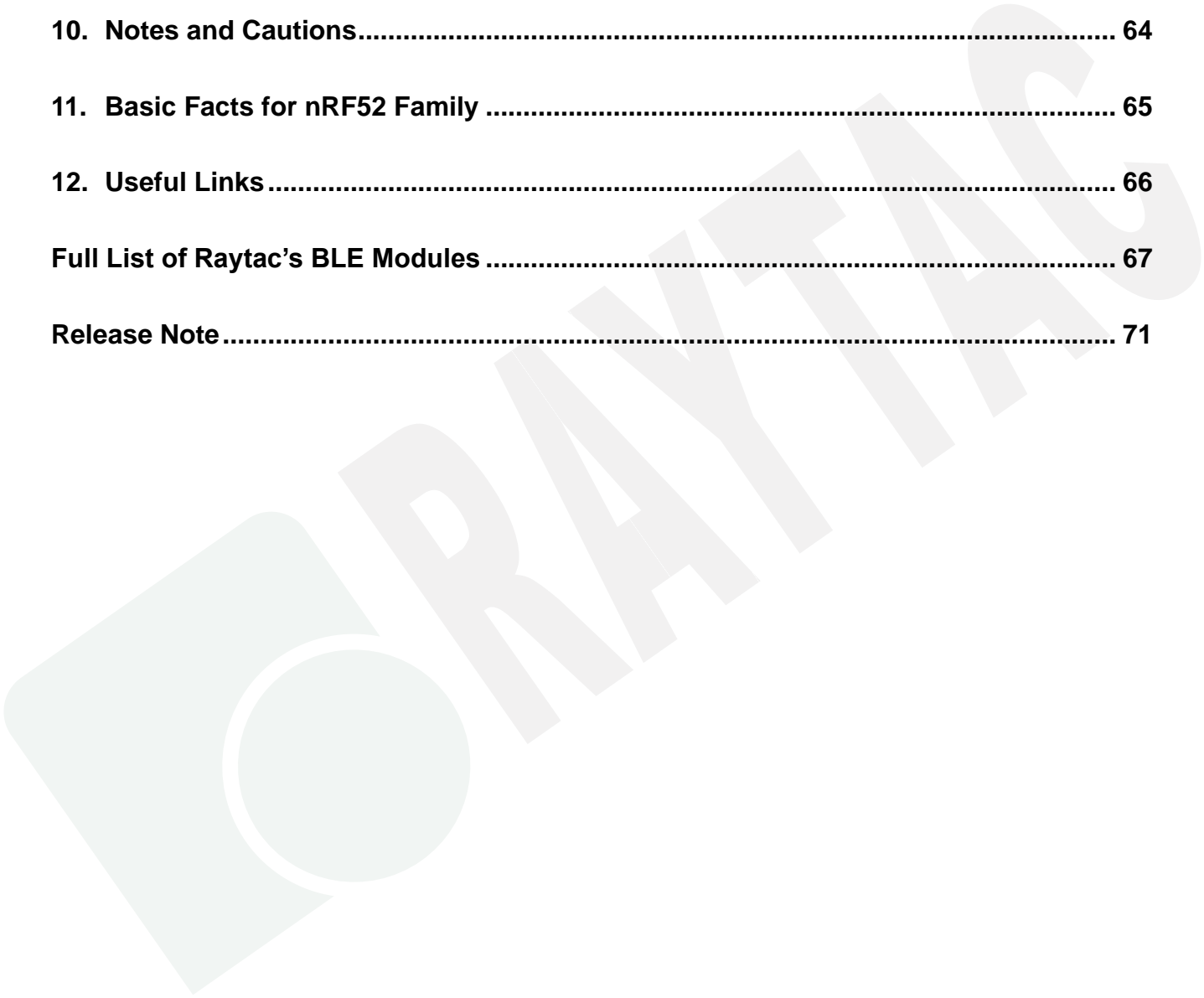
| Model         | Working distance (in Meters) |           |           | Operating Temperature |
|---------------|------------------------------|-----------|-----------|-----------------------|
|               | 125 Kbps                     | 1 Mbps    | 2 Mbps    |                       |
| MDBT50Q-1MV2  | over 550                     | over 300  | over 150  | -40 ~ 85°C            |
| MDBT50Q-P1MV2 | over 450                     | up to 250 | up to 120 | -40 ~ 85°C            |

*Working range is tested in open space*

# Index

|                                               |           |
|-----------------------------------------------|-----------|
| <b>1. Overall Introduction</b>                | <b>4</b>  |
| 1.1. Application                              | 4         |
| 1.2. Features                                 | 5         |
| <b>2. Product Dimension</b>                   | <b>7</b>  |
| 2.1. PCB Dimensions & Pin Indication          | 7         |
| 2.2. Recommended Layout of Solder Pad         | 9         |
| 2.3. RF Layout Suggestion (aka Keep-Out Area) | 11        |
| 2.4. Footprint & Design Guide                 | 13        |
| 2.5. Pin Assignment                           | 14        |
| 2.6. GPIO Located Near the Radio              | 17        |
| <b>3. Main Chip Solution</b>                  | <b>17</b> |
| <b>4. Shipment Packaging Information</b>      | <b>18</b> |
| 4.1. Marking on Metal Shield                  | 19        |
| 4.2. Packaging Info                           | 20        |
| 4.3. Order Code                               | 22        |
| <b>5. Specification</b>                       | <b>23</b> |
| 5.1. Absolute Maximum Ratings                 | 23        |
| 5.2. Operating Conditions                     | 23        |
| 5.3. Electrical Specifications                | 24        |
| <b>6. Block Diagram</b>                       | <b>30</b> |
| <b>7. Antenna</b>                             | <b>31</b> |
| 7.1. MDBT50Q                                  | 31        |
| 7.2. MDBT50Q-P                                | 33        |
| <b>8. Reference Circuit</b>                   | <b>35</b> |
| 8.1. Reg0 DC/DC Enabled                       | 36        |
| 8.2. Reg0 LDO Mode                            | 38        |
| 8.3. Reg0 DC/DC and LDO Mode Disabled         | 40        |
| 8.4. USB Powered                              | 42        |
| 8.5. USB Disabled                             | 46        |
| <b>9. Certification</b>                       | <b>47</b> |
| 9.1. Declaration ID                           | 47        |
| 9.2. FCC Certificate (USA)                    | 49        |
| 9.3. TELEC Certificate (Japan)                | 50        |



|            |                                                          |           |
|------------|----------------------------------------------------------|-----------|
| 9.4.       | NCC Certificate (Taiwan) .....                           | 52        |
| 9.5.       | CE (EU) & RCM (Australia & New Zealand) Test Report..... | 54        |
| 9.6.       | IC Certificate (Canada) .....                            | 57        |
| 9.7.       | SRRC Certificate (China).....                            | 58        |
| 9.8.       | KC Certificate (South Korea) .....                       | 59        |
| 9.9.       | WPC (ETA) Certificate (India).....                       | 60        |
| 9.10.      | RoHS & REACH Report .....                                | 62        |
| 9.11.      | End-Product Label.....                                   | 62        |
| <b>10.</b> | <b>Notes and Cautions.....</b>                           | <b>64</b> |
| <b>11.</b> | <b>Basic Facts for nRF52 Family .....</b>                | <b>65</b> |
| <b>12.</b> | <b>Useful Links.....</b>                                 | <b>66</b> |
|            | <b>Full List of Raytac’s BLE Modules .....</b>           | <b>67</b> |
|            | <b>Release Note.....</b>                                 | <b>71</b> |



# 1. Overall Introduction

Raytac's MDBT50Q & MDBT50Q-P is a BT 5.2 stack (Bluetooth low energy or BLE) module designed based on **Nordic nRF52840 SoC solution**, which incorporates: **GPIO, SPI, UART, I2C, I2S, PMD, PWM, ADC, NFC** and **USB** interfaces for connecting peripherals and sensors.

Features:

1. Embedded 2.4GHz transceiver supports Bluetooth 5.2 (  Bluetooth<sup>®</sup> ), IEEE 802.15.4 (  THREAD & Zigbee) & 2.4Ghz RF & ANT+ upon customer's preference.
2. Compact size with (L) 15.5 x (W) 10.5 x (H) 2.05 or 2 mm.
3. Low power requirements, ultra-low peak, average and idle mode power consumption.
4. Be compatible with a large installed base of mobile phones, tablets and computers.
5. Fully coverage of BLE software stack.
6. BLE & RF transmission switching helps products fit all operation system and most hardware.

## 1.1. Application

- IoT Networks
  - Smart home (such as door locks, lighting) sensors and controllers
  - Smart city sensor networks
  - Industrial IoT sensors and controllers
  - Connected white goods
- Personal Area Networks
  - Health / fitness sensor and monitor device
  - Medical device
- Interactive entertainment devices
  - Advanced remote controls
  - Gaming controller
- Advanced wearables
  - Connected watches
  - Advanced personal fitness devices
  - Wearables with wireless secure payment
  - Connected Health
  - Virtual/Augmented Reality applications
- High performance HID Controllers
- Mesh Network

## 1.2. Features

- Bluetooth 5, IEEE 802.15.4, 2.4 GHz transceiver
  - -95dBm sensitivity in 1Mbps Bluetooth low energy (BLE) mode
  - -103dBm sensitivity in 125Kbps BLE mode (long range)
  - +8 dBm TX power (down to -20 dBm in 4 dB steps)
  - On-air compatible with nRF52, nRF51, nRF24L and nRF24AP Series
  - Programmable output power from +8dBm to -20dB
  - RSSI (1dB resolution)
  - Supported data rates:
    - Bluetooth 5: 2 Mbps, 1 Mbps, 500 kbps, 125 kbps
    - IEEE 802.15.4-2006: 250 kbps
    - Proprietary 2.4 GHz: 2 Mbps, 1 Mbps
- ARM Cortex –M4 32-bit processor with FPU, 64 MHz
- Memory: 1MB flash / 256KB RAM
- HW accelerated security
  - ARM TrustZone Cryptocell 310 security subsystem
  - 128 bit AES / ECB / CCM / AAR co-processor (on-the-fly packet encryption)
- Advanced on-chip interfaces
  - USB 2.0 full speed (12Mbps) controller
  - QSPI 32MHz interface
  - High speed 32MHz SPI
  - Type 2 near field communication (NFC-A) tag with wake-on field
  - Programmable peripheral interconnect (PPI)
  - 48 general purpose I/O pins
  - EasyDMA automated data transfer between memory and peripherals.
- 12 bit, 200ksps ADC – 8 configurable channels with programmable gain
- 4 x 4 channel pulse width modulator (PWM) units with EasyDMA
- Audio peripherals : I2S, digital microphone interface (PDM)
- 5 X 32-bit timers with counter mode
- Up to 4 x SPI masters / 3 x SPI slaves with EasyDMA
- Up to 2 x I2C compatible 2-wire masters / slaves
- 2 x UART(CTS/RTS) with EasyDMA
- Quadrature decoder (QDEC)
- 3 x 24-bit real-time counters (RTC)

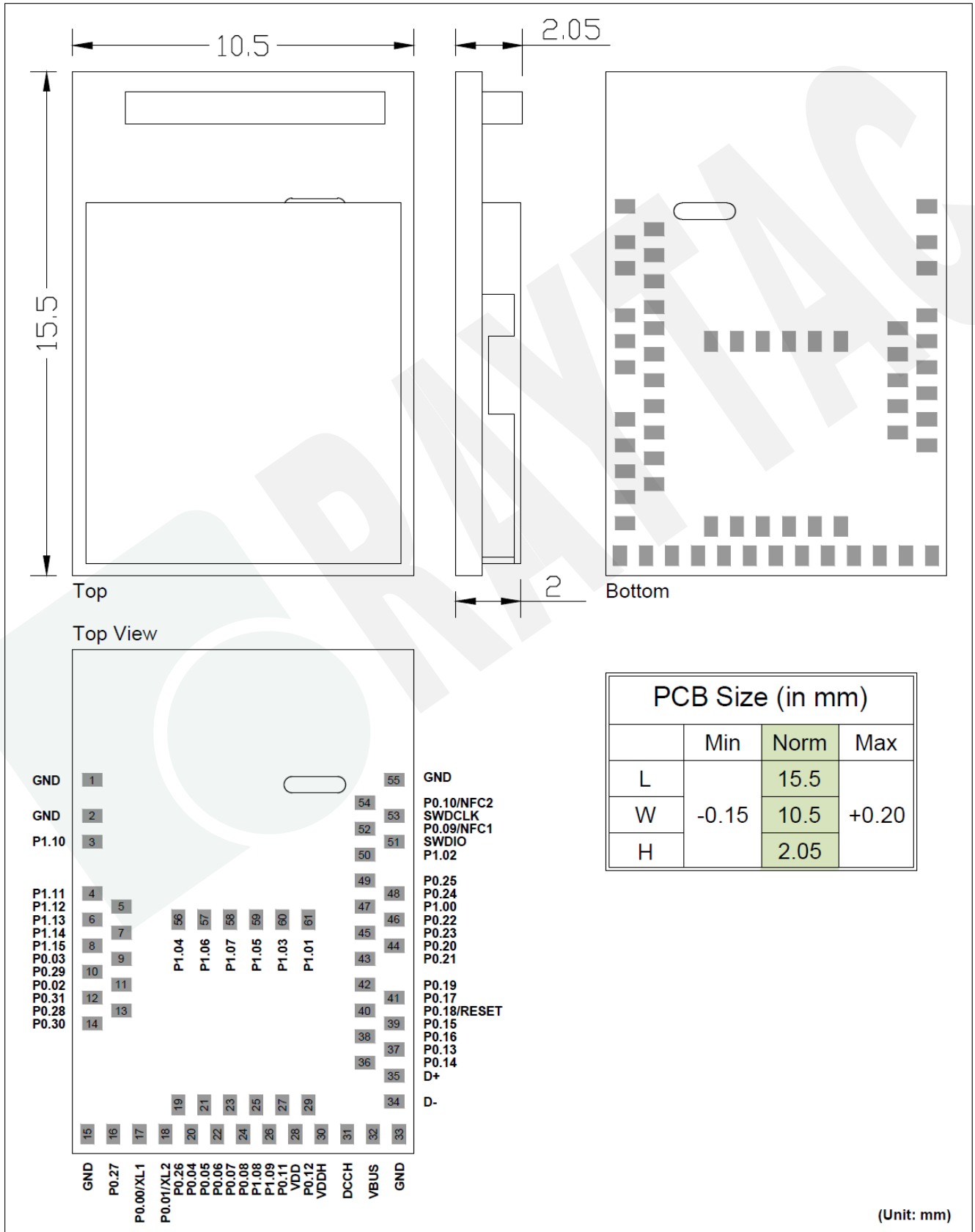
- Flexible power management
  - Supply voltage range 1.7V to 5.5V
  - On-chip DC/DC and LDO regulators with automated low current modes
  - Regulated supply for external components from 1.8V to 3.3V
  - Automated peripheral power management
  - Fast wake-up using 64MHz internal oscillator
  - 0.4uA at 3V in System OFF mode, no RAM retention
  - 1.5uA at 3V in System ON mode, no RAM retention, wake on RTC
- Nordic SoftDevice ready and with support for concurrent multi-protocol



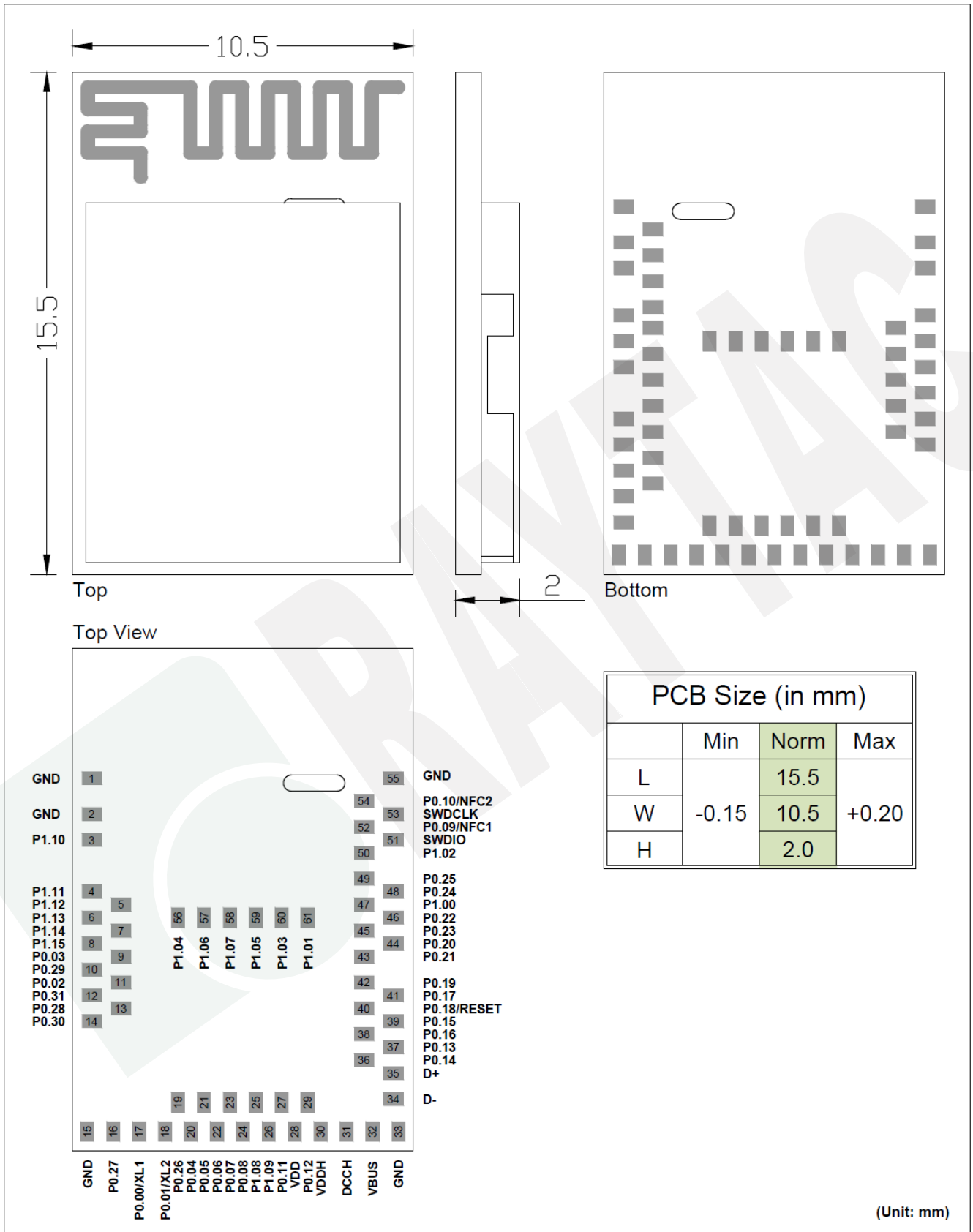
## 2. Product Dimension

### 2.1. PCB Dimensions & Pin Indication

#### • MDBT50Q-1MV2



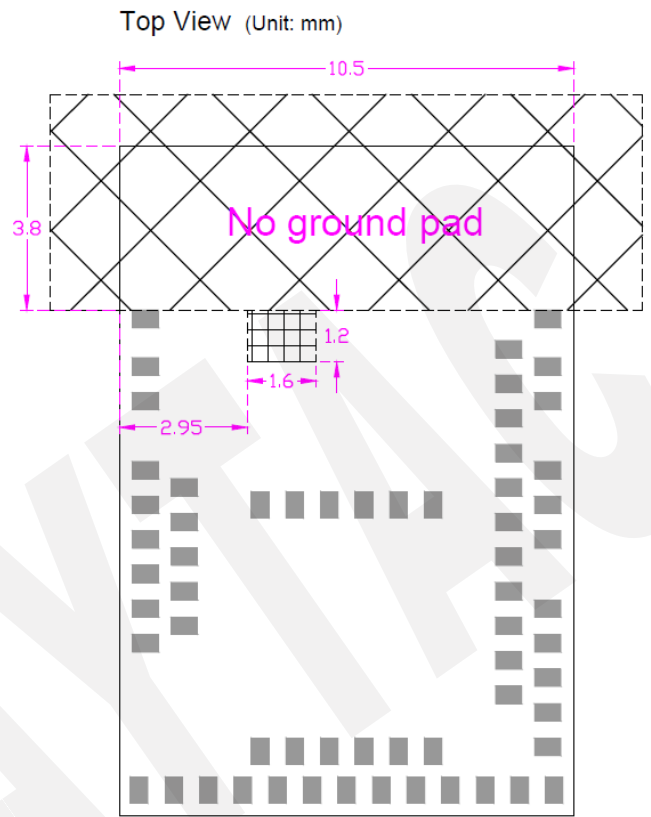
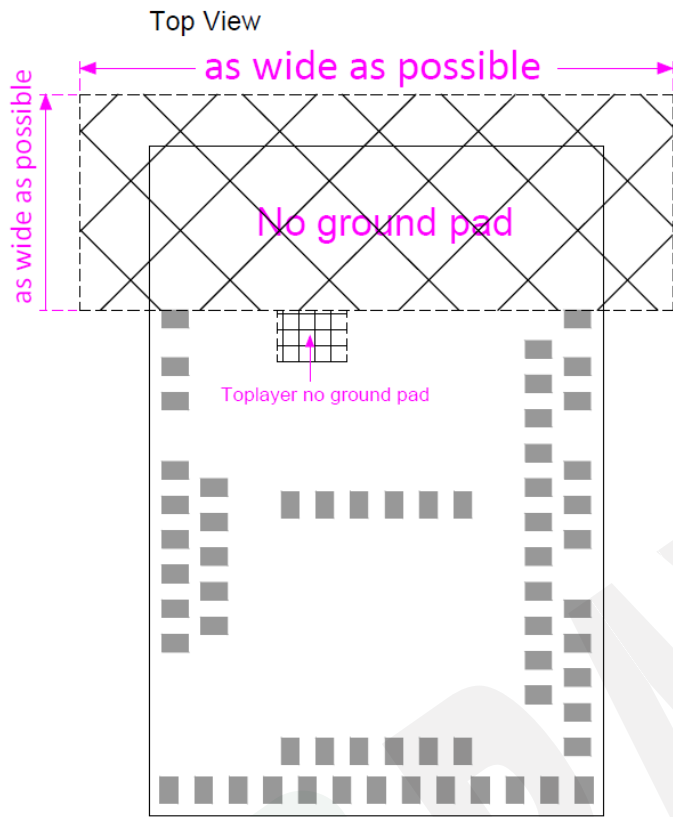
# • MDBT50Q-P1MV2







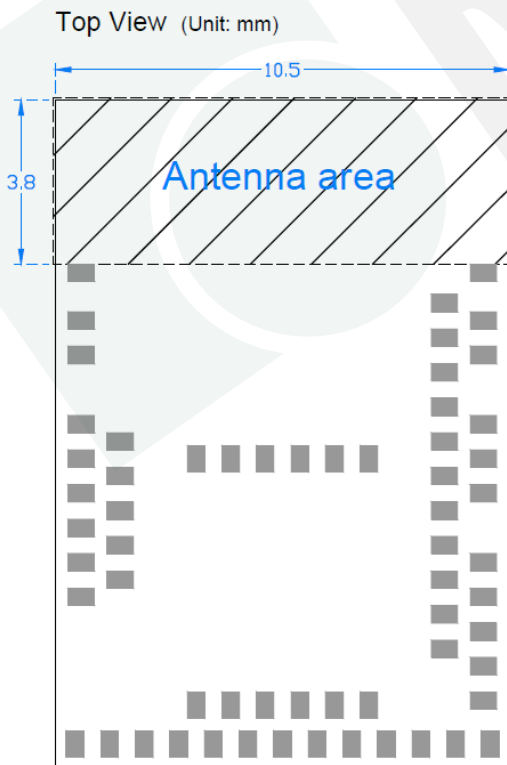
## 2.2. Recommended Layout of Solder Pad


*Graphs are all in Top View, Unit in mm.*



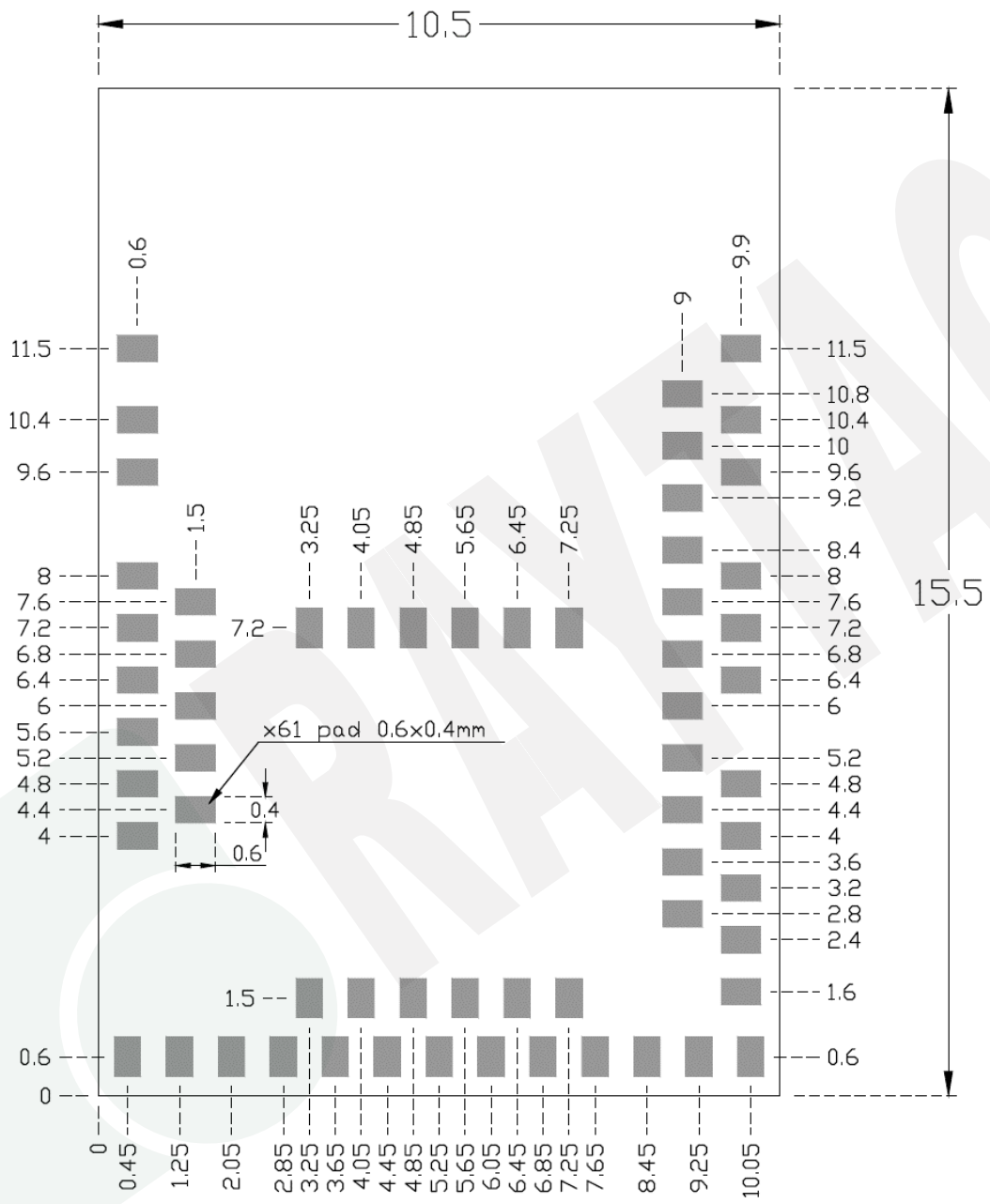
 No ground pad (as wide as possible)

 Toplayer no ground pad



 Antenna area

Top View (Unit: mm)



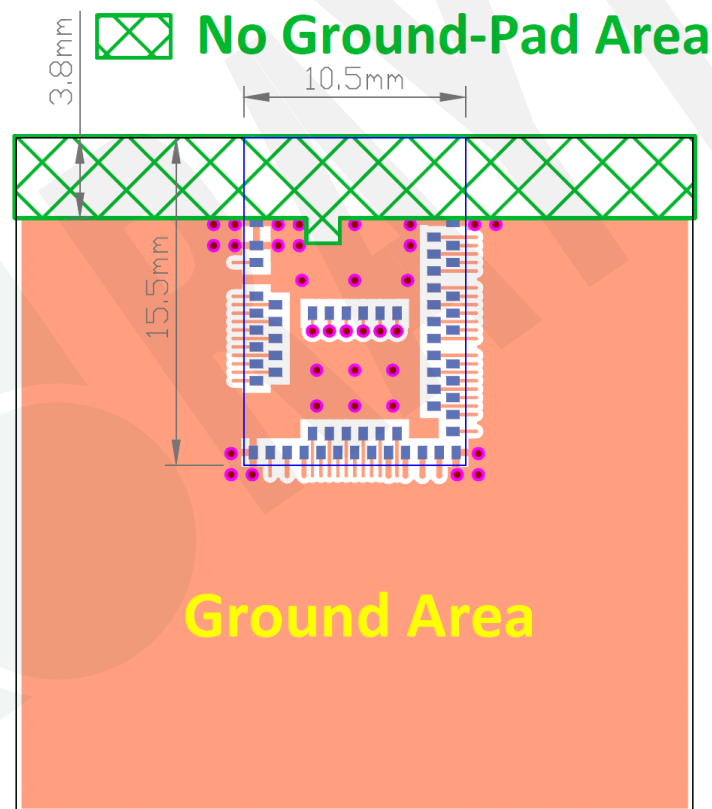
## 2.3. RF Layout Suggestion (aka Keep-Out Area)

Make sure to keep the “No Ground Pad” as wider as you can regardless of the size of your PCB.

No Ground Pad should be included in the corresponding position of the antenna in **EACH LAYER**.

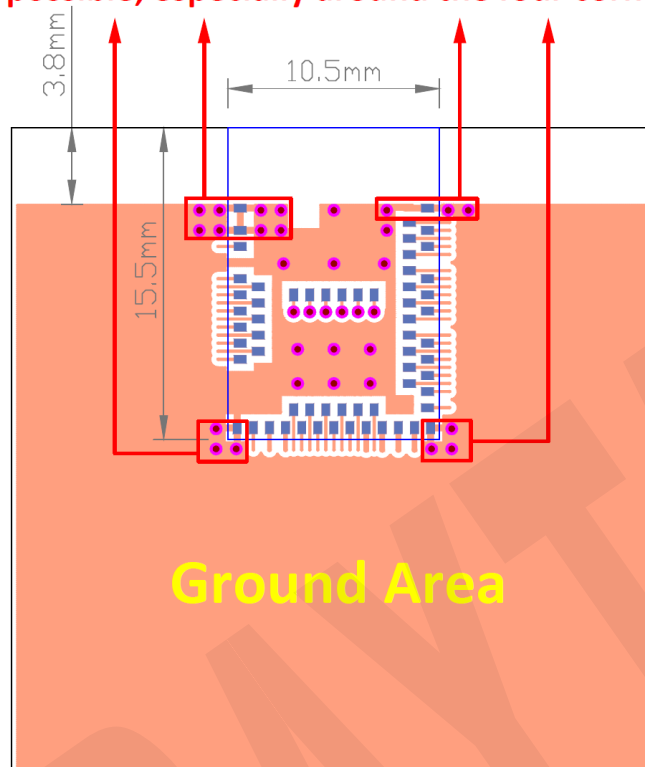
Place the module towards the edge of PCB to have better performance than placing it on the center.

Welcome to send us your layout in PDF for review at [service@raytac.com](mailto:service@raytac.com) or your contact at Raytac with title “Layout reviewing – Raytac Model No. – YOUR company’s name”.



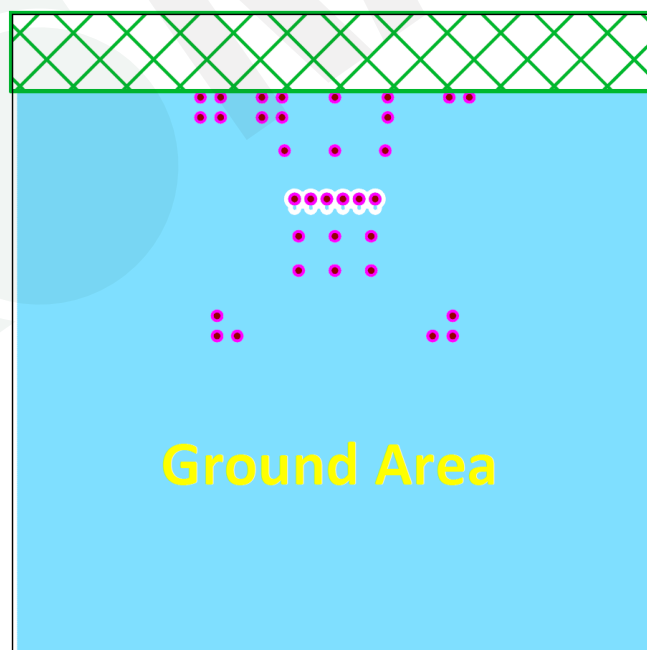
**Top View**

Please add via holes in GROUND area as many as possible, especially around the four corners.



Top View

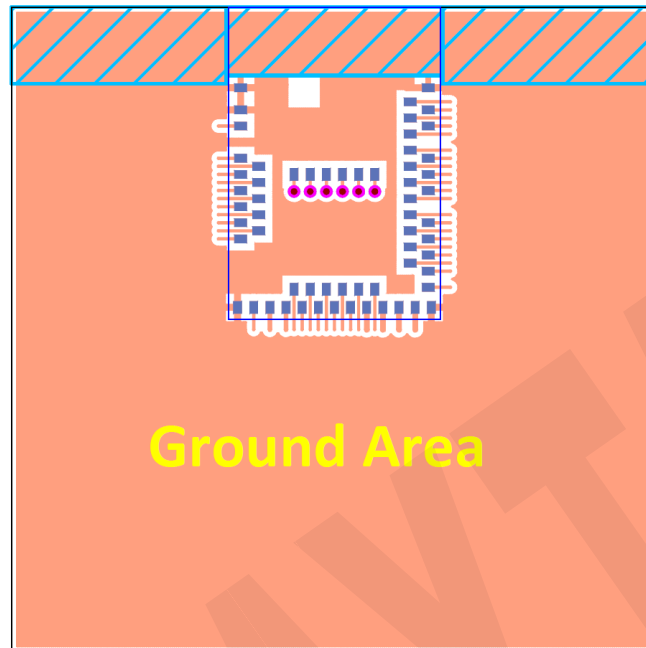
 No Ground-Pad Area



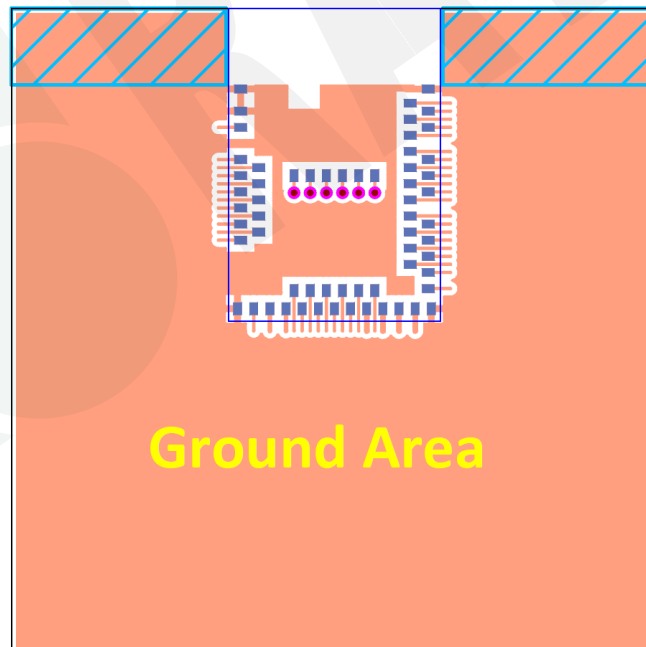
Perspective View

Examples of “**NOT RECOMMENDED**” layout

 where should be NO-GROUND area



 where should be NO-GROUND area



## 2.4. Footprint & Design Guide

Please visit “[Support](#)” page of our website to download. The package includes footprint, 2D/3D drawing, reflow graph/solder profile and recommended spec for external 32.768khz.

## 2.5. Pin Assignment

| Pin No. | Name  | Pin function | Description                                                     |
|---------|-------|--------------|-----------------------------------------------------------------|
| (1)     | GND   | Power        | Ground                                                          |
| (2)     | GND   | Power        | Ground                                                          |
| (3)     | P1.10 | Digital I/O  | General-purpose I/O<br>(standard drive, low frequency I/O only) |
| (4)     | P1.11 | Digital I/O  | General-purpose I/O<br>(standard drive, low frequency I/O only) |
| (5)     | P1.12 | Digital I/O  | General-purpose I/O<br>(standard drive, low frequency I/O only) |
| (6)     | P1.13 | Digital I/O  | General-purpose I/O<br>(standard drive, low frequency I/O only) |
| (7)     | P1.14 | Digital I/O  | General-purpose I/O<br>(standard drive, low frequency I/O only) |
| (8)     | P1.15 | Digital I/O  | General-purpose I/O<br>(standard drive, low frequency I/O only) |
| (9)     | P0.03 | Digital I/O  | General-purpose I/O<br>(standard drive, low frequency I/O only) |
|         | AIN1  | Analog input | Analog input                                                    |
| (10)    | P0.29 | Digital I/O  | General-purpose I/O<br>(standard drive, low frequency I/O only) |
|         | AIN5  | Analog input | Analog input                                                    |
| (11)    | P0.02 | Digital I/O  | General-purpose I/O<br>(standard drive, low frequency I/O only) |
|         | AIN0  | Analog input | Analog input                                                    |
| (12)    | P0.31 | Digital I/O  | General-purpose I/O<br>(standard drive, low frequency I/O only) |
|         | AIN7  | Analog input | Analog input                                                    |
| (13)    | P0.28 | Digital I/O  | General-purpose I/O<br>(standard drive, low frequency I/O only) |
|         | AIN4  | Analog input | Analog input                                                    |
| (14)    | P0.30 | Digital I/O  | General-purpose I/O<br>(standard drive, low frequency I/O only) |
|         | AIN6  | Analog input | Analog input                                                    |

| Pin No. | Name              | Pin function | Description                       |
|---------|-------------------|--------------|-----------------------------------|
| (15)    | <b>GND</b>        | Power        | Ground                            |
| (16)    | <b>P0.27</b>      | Digital I/O  | General-purpose I/O               |
| (17)    | <b>P0.00</b>      | Digital I/O  | General-purpose I/O               |
|         | <b>XL1</b>        | Analog input | Connection for 32.768 kHz crystal |
| (18)    | <b>P0.01</b>      | Digital I/O  | General-purpose I/O               |
|         | <b>XL2</b>        | Analog input | Connection for 32.768 kHz crystal |
| (19)    | <b>P0.26</b>      | Digital I/O  | General-purpose I/O               |
| (20)    | <b>P0.04</b>      | Digital I/O  | General-purpose I/O               |
|         | <b>AIN2</b>       | Analog input | Analog input                      |
| (21)    | <b>P0.05</b>      | Digital I/O  | General-purpose I/O               |
|         | <b>AIN3</b>       | Analog input | Analog input                      |
| (22)    | <b>P0.06</b>      | Digital I/O  | General-purpose I/O               |
| (23)    | <b>P0.07</b>      | Digital I/O  | General-purpose I/O               |
|         | <b>TRACECLK</b>   | Trace clock  | Trace buffer clock                |
| (24)    | <b>P0.08</b>      | Digital I/O  | General-purpose I/O               |
| (25)    | <b>P1.08</b>      | Digital I/O  | General-purpose I/O               |
|         | <b>P1.09</b>      | Digital I/O  | General-purpose I/O               |
|         | <b>TRACEDATA3</b> | Trace data   | Trace buffer TRACEDATA [3].       |
| (27)    | <b>P0.11</b>      | Digital I/O  | General-purpose I/O               |
|         | <b>TRACEDATA2</b> | Trace data   | Trace buffer TRACEDATA[2].        |
| (28)    | <b>VDD</b>        | Power        | Power supply                      |
| (29)    | <b>P0.12</b>      | Digital I/O  | General-purpose I/O               |
|         | <b>TRACEDATA1</b> | Trace data   | Trace buffer TRACEDATA [1].       |
| (30)    | <b>VDDH</b>       | Power        | High voltage power supply         |
| (31)    | <b>DCCH</b>       | Power        | DC/DC converter output            |
| (32)    | <b>VBUS</b>       | Power        | 5V input for USB 3.3V regulator   |
| (33)    | <b>GND</b>        | Power        | Ground                            |
| (34)    | <b>D-</b>         | Digital I/O  | USB D-                            |
| (35)    | <b>D+</b>         | Digital I/O  | USB D+                            |

| Pin No. | Name       | Pin function | Description                                                     |
|---------|------------|--------------|-----------------------------------------------------------------|
| (36)    | P0.14      | Digital I/O  | General-purpose digital I/O                                     |
| (37)    | P0.13      | Digital I/O  | General-purpose digital I/O                                     |
| (38)    | P0.16      | Digital I/O  | General-purpose digital I/O                                     |
| (39)    | P0.15      | Digital I/O  | General-purpose digital I/O                                     |
| (40)    | P0.18      | Digital I/O  | General-purpose digital I/O<br>(recommended usage: QSPI / CSN)  |
|         | nRESET     |              | Configurable as system RESET                                    |
| (41)    | P0.17      | Digital I/O  | General-purpose digital I/O                                     |
| (42)    | P0.19      | Digital I/O  | General-purpose digital I/O<br>(recommended usage: (QSPI / SCK) |
| (43)    | P0.21      | Digital I/O  | General-purpose digital I/O<br>(recommended usage: QSPI)        |
| (44)    | P0.20      | Digital I/O  | General-purpose digital I/O                                     |
| (45)    | P0.23      | Digital I/O  | General-purpose digital I/O<br>(recommended usage: QSPI)        |
| (46)    | P0.22      | Digital I/O  | General-purpose digital I/O<br>(recommended usage: QSPI)        |
| (47)    | P1.00      | Digital I/O  | General-purpose digital I/O<br>(recommended usage: QSPI)        |
|         | TRACEDATA0 | Trace data   | Trace buffer TRACEDATA [0].                                     |
| (48)    | P0.24      | Digital I/O  | General-purpose digital I/O                                     |
| (49)    | P0.25      | Digital I/O  | General-purpose digital I/O                                     |
| (50)    | P1.02      | Digital I/O  | General-purpose I/O<br>(standard drive, low frequency I/O only) |
| (51)    | SWDIO      | Debug        | Serial wire debug I/O for debug and programming                 |
| (52)    | P0.09      | Digital I/O  | General-purpose I/O<br>(standard drive, low frequency I/O only) |
|         | NFC1       | NFC input    | NFC antenna connection                                          |
| (53)    | SWDCLK     | Debug        | Serial wire debug clock input for debug and programming         |
| (54)    | P0.10      | Digital I/O  | General-purpose I/O<br>(standard drive, low frequency I/O only) |
|         | NFC2       | NFC input    | NFC antenna connection                                          |



| Pin No. | Name         | Pin function | Description                                                     |
|---------|--------------|--------------|-----------------------------------------------------------------|
| (55)    | <b>GND</b>   | Power        | Ground                                                          |
| (56)    | <b>P1.04</b> | Digital I/O  | General-purpose I/O<br>(standard drive, low frequency I/O only) |
| (57)    | <b>P1.06</b> | Digital I/O  | General-purpose I/O<br>(standard drive, low frequency I/O only) |
| (58)    | <b>P1.07</b> | Digital I/O  | General-purpose I/O<br>(standard drive, low frequency I/O only) |
| (59)    | <b>P1.05</b> | Digital I/O  | General-purpose I/O<br>(standard drive, low frequency I/O only) |
| (60)    | <b>P1.03</b> | Digital I/O  | General-purpose I/O<br>(standard drive, low frequency I/O only) |
| (61)    | <b>P1.01</b> | Digital I/O  | General-purpose I/O<br>(standard drive, low frequency I/O only) |

## 2.6. GPIO Located Near the Radio

Please refer to [2.5 Pin Assignment](#) on page 16 to 18 where identifies some GPIO that have recommended usage. To maximize RF performance, these GPIO are only available to use under standard drive, low frequency I/O only, wrong usage may lead to undesirable performance.



*Low frequency I/O is a signal with a frequency up to 10 kHz. SPI, I2C, UART, PWM are NOT low frequency I/O.*

## 3. Main Chip Solution

| RF IC                  | Crystal Frequency |
|------------------------|-------------------|
| <b>Nordic NRF52840</b> | <b>32MHZ</b>      |

*32MHz crystal and RF (VDD) DC/DC inductor (Reg1) are already inside the module.*

## 4. Shipment Packaging Information

| Model         | Antenna      | Photo                                                                               |
|---------------|--------------|-------------------------------------------------------------------------------------|
| MDBT50Q-1MV2  | Chip/Ceramic |  |
| MDBT50Q-P1MV2 | PCB/Printed  |  |

**Module with one black dot is using revision 1 IC. The one without black dot is using revision 2 IC and date code starts from 914 and after.**

- Unit Weight of Module:

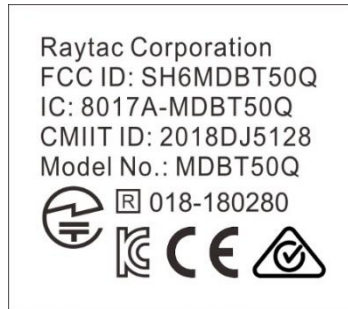
MDBT50Q-1MV2: 0.68 g ( $\pm 0.02$  g) ; MDBT50Q-P1MV2: 0.64 g ( $\pm 0.02$  g)

- Packaging Type: Anti-static tray or Tape & Reel

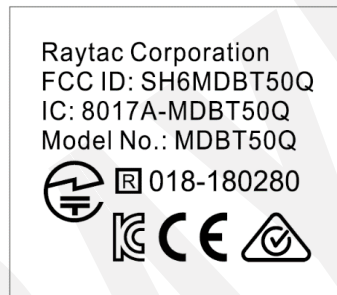
|                                                | Tray            | Tape & Reel        |
|------------------------------------------------|-----------------|--------------------|
| <b>MPQ<br/>(Min. Package Q'ty)</b>             | 88 pcs per tray | 1,500 pcs per reel |
| <b>Carton Contents<br/>(per carton)</b>        | 1,760 pcs       | 1,500 pcs          |
| <b>Carton Dimension<br/>(L) x (W) x (H) cm</b> | 37 x 21 x 13    | 37 x 36 x 6        |
| <b>Gross Weight</b>                            | about 2.8 kgs   | about 1.9 kgs      |

## 4.1. Marking on Metal Shield

Label contexts for date code 839 and after,



For date code 833 to 838,



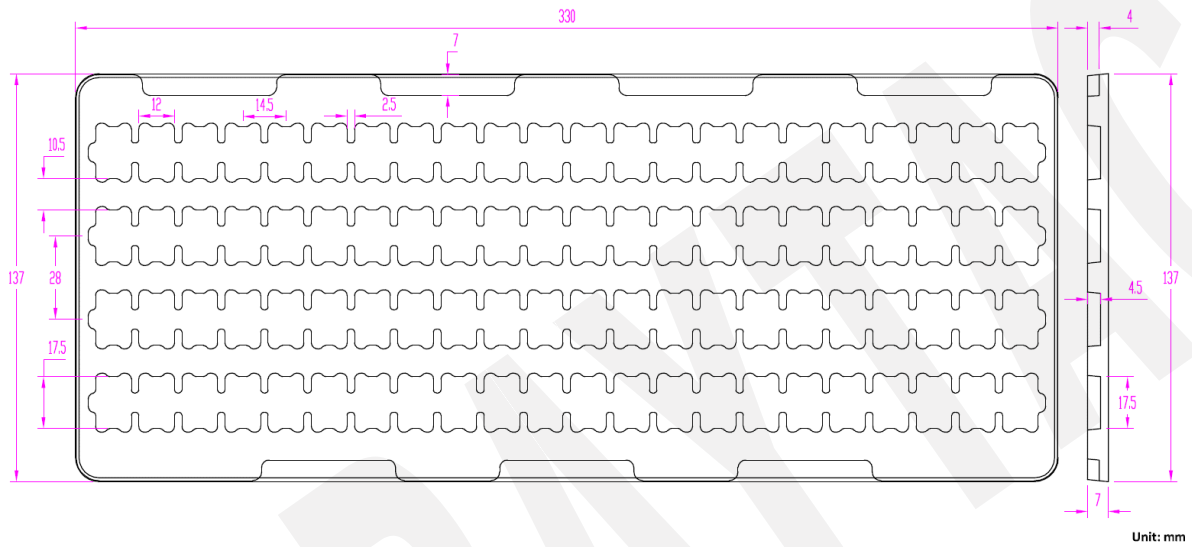
There is no marking on metal shield for module(s) with date code before 833.

## 4.2. Packaging Info

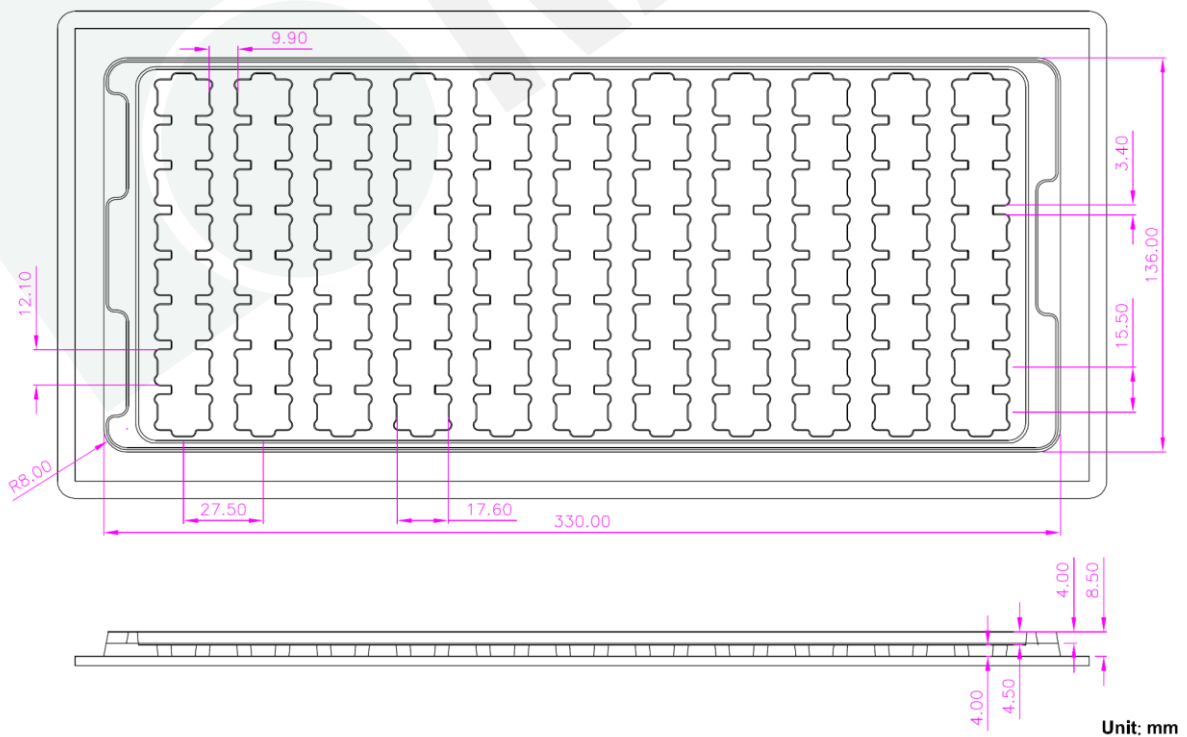
### 4.2.1. Tray Packaging

Anti-static tray is specifically designed for mass production. It can be used directly on SMT automatic machine

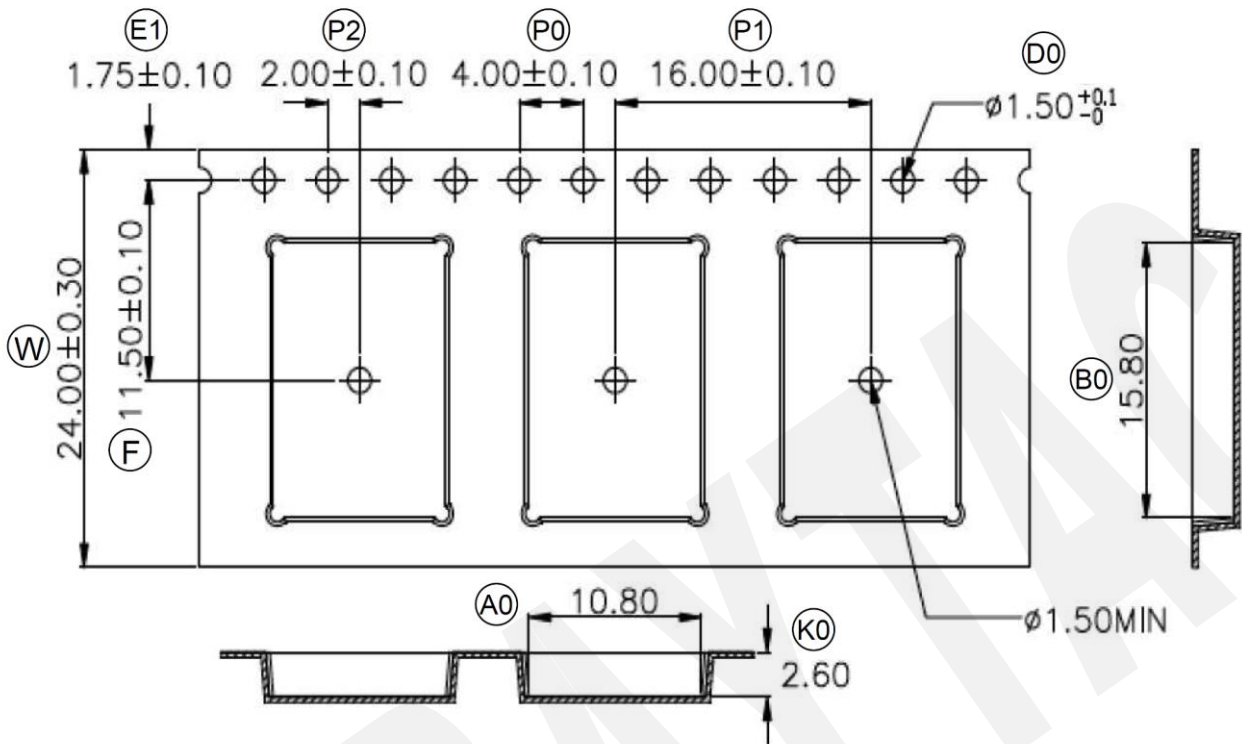
**Before July 1<sup>st</sup>, 2022**



**After July 1<sup>st</sup>, 2022**



## 4.2.2. Tape & Reel Packaging



|    |                    |         |
|----|--------------------|---------|
| W  | <b>24.00</b>       | ±0.30   |
| P1 | <b>16.00</b>       | ±0.10   |
| E1 | <b>1.75</b>        | ±0.10   |
| F  | <b>11.50 ±0.10</b> |         |
| D0 | 1.50               | +0.1/-0 |
| P0 | 4.00               | ±0.10   |
| P2 | 2.00 ±0.10         |         |
| A0 | <b>10.80</b>       | ±0.10   |
| B0 | <b>15.80</b>       | ±0.10   |
| K0 | <b>2.60</b>        | ±0.10   |
| T  | 0.30               | ±0.05   |

### 4.3. Order Code

Each model has two options of packaging. Please use following part no. when placing order to us.

| <b>Model</b>  | <b>Tray</b>  | <b>Tape &amp; Reel</b> |
|---------------|--------------|------------------------|
| MDBT50Q-1MV2  | MD-240A3-007 | MD-240A3-007R          |
| MDBT50Q-P1MV2 | MD-240A3-008 | MD-240A3-008R          |

***MPQ of Reel packaging is 1,500 pcs and Tray packaging is 88 pcs.***

# 5. Specification

Any technical spec shall refer to Nordic's official documents as final reference. Contents below are from "[nRF52840 Product Specification v1.7](#)", please click to download full spec.

## 5.1. Absolute Maximum Ratings

|                                       | Note                       | Min.   | Max.      | Unit               |
|---------------------------------------|----------------------------|--------|-----------|--------------------|
| <b>Supply voltages</b>                |                            |        |           |                    |
| VDD                                   |                            | -0.3   | +3.9      | V                  |
| VDDH                                  |                            | -0.3   | +5.8      | V                  |
| VBUS                                  |                            | -0.3   | +5.8      | V                  |
| VSS                                   |                            |        | 0         | V                  |
| <b>I/O pin voltage</b>                |                            |        |           |                    |
| $V_{I/O}$ , VDD $\leq$ 3.6 V          |                            | -0.3   | VDD + 0.3 | V                  |
| $V_{I/O}$ , VDD > 3.6 V               |                            | -0.3   | 3.9       | V                  |
| <b>NFC antenna pin current</b>        |                            |        |           |                    |
| $I_{NFC1/2}$                          |                            |        | 80        | mA                 |
| <b>Radio</b>                          |                            |        |           |                    |
| RF input level                        |                            |        | 10        | dBm                |
| <b>Environmental aQFN™ 73 package</b> |                            |        |           |                    |
| Storage temperature                   |                            | -40    | +125      | °C                 |
| MSL                                   | Moisture Sensitivity Level |        | 2         |                    |
| ESD HBM                               | Human Body Model           |        | 2         | kV                 |
| ESD HBM Class                         | Human Body Model Class     |        | 2         |                    |
| ESD CDM                               | Charged Device Model       |        | 450       | V                  |
| <b>Flash memory</b>                   |                            |        |           |                    |
| Endurance                             |                            | 10 000 |           | write/erase cycles |
| Retention at 85 °C                    |                            | 10     |           | years              |

## 5.2. Operating Conditions

| Symbol             | Parameter                                       | Min. | Nom. | Max. | Units |
|--------------------|-------------------------------------------------|------|------|------|-------|
| VDD                | VDD supply voltage, independent of DCDC enable  | 1.7  | 3.0  | 3.6  | V     |
| VDD <sub>POR</sub> | VDD supply voltage needed during power-on reset | 1.75 |      |      | V     |
| VDDH               | VDDH supply voltage, independent of DCDC enable | 2.5  | 3.7  | 5.5  | V     |
| VBUS               | VBUS USB supply voltage                         | 4.35 | 5.0  | 5.5  | V     |
| $t_{R\_VDD}$       | Supply rise time (0 V to 1.7 V)                 |      |      | 60   | ms    |
| $t_{R\_VDDH}$      | Supply rise time (0 V to 3.7 V)                 |      |      | 100  | ms    |
| TA                 | Operating temperature                           | -40  | 25   | 85   | °C    |
| T <sub>J</sub>     | Junction temperature                            |      |      | 90   | °C    |

**\*\*\* The on-chip power-on reset circuitry may not function properly for rise times longer than the specified maximum.**

## 5.3. Electrical Specifications

### 5.3.1. General Radio Characteristics

| Symbol                    | Description                      | Min. | Typ.      | Max. | Units  |
|---------------------------|----------------------------------|------|-----------|------|--------|
| $f_{OP}$                  | Operating frequencies            | 2360 |           | 2500 | MHz    |
| $f_{PLL,CH,SP}$           | PLL channel spacing              |      | 1         |      | MHz    |
| $f_{DELTA,1M}$            | Frequency deviation @ 1 Mbps     |      | $\pm 170$ |      | kHz    |
| $f_{DELTA,BLE,1M}$        | Frequency deviation @ BLE 1 Mbps |      | $\pm 250$ |      | kHz    |
| $f_{DELTA,2M}$            | Frequency deviation @ 2 Mbps     |      | $\pm 320$ |      | kHz    |
| $f_{DELTA,BLE,2M}$        | Frequency deviation @ BLE 2 Mbps |      | $\pm 500$ |      | kHz    |
| $f_{skBPS}$               | On the air data rate             | 125  |           | 2000 | kbps   |
| $f_{chip, IEEE 802.15.4}$ | Chip rate in IEEE 802.15.4 mode  |      | 2000      |      | kchips |

### 5.3.2. Radio Current Consumption (Transmitter)

| Symbol                         | Description                                                         | Min. | Typ. | Max. | Units |
|--------------------------------|---------------------------------------------------------------------|------|------|------|-------|
| $I_{TX,PLUS8dBm,DCDC}$         | TX only run current (DC/DC, 3 V) $P_{RF} = +8$ dBm                  | ..   | 14.8 | ..   | mA    |
| $I_{TX,PLUS8dBm}$              | TX only run current $P_{RF} = +8$ dBm                               | ..   | 32.7 | ..   | mA    |
| $I_{TX,PLUS4dBm,DCDC}$         | TX only run current (DC/DC, 3 V) $P_{RF} = +4$ dBm                  | ..   | 9.6  | ..   | mA    |
| $I_{TX,PLUS4dBm}$              | TX only run current $P_{RF} = +4$ dBm                               | ..   | 21.4 | ..   | mA    |
| $I_{TX,0dBm,DCDC,5V,REG0HIGH}$ | TX only run current (DC/DC, 5 V, REG0 out = 3.3 V) $P_{RF} = 0$ dBm |      | 3.0  |      | mA    |
| $I_{TX,0dBm,DCDC,5V,REG0L}$    | TX only run current (DC/DC, 5 V, REG0 out = 1.8 V) $P_{RF} = 0$ dBm |      | 3.0  |      | mA    |
| $I_{TX,0dBm,DCDC}$             | TX only run current (DC/DC, 3 V) $P_{RF} = 0$ dBm                   | ..   | 4.8  |      | mA    |
| $I_{TX,0dBm}$                  | TX only run current $P_{RF} = 0$ dBm                                | ..   | 10.6 | ..   | mA    |
| $I_{TX,MINUS4dBm,DCDC}$        | TX only run current DC/DC, 3 V $P_{RF} = -4$ dBm                    | ..   | 3.1  | ..   | mA    |
| $I_{TX,MINUS4dBm}$             | TX only run current $P_{RF} = -4$ dBm                               | ..   | 8.1  | ..   | mA    |
| $I_{TX,MINUS8dBm,DCDC}$        | TX only run current DC/DC, 3 V $P_{RF} = -8$ dBm                    |      | 3.3  |      | mA    |
| $I_{TX,MINUS8dBm}$             | TX only run current $P_{RF} = -8$ dBm                               | ..   | 7.2  |      | mA    |
| $I_{TX,MINUS12dBm,DCDC}$       | TX only run current DC/DC, 3 V $P_{RF} = -12$ dBm                   |      | 3.0  |      | mA    |
| $I_{TX,MINUS12dBm}$            | TX only run current $P_{RF} = -12$ dBm                              | ..   | 6.4  | ..   | mA    |
| $I_{TX,MINUS16dBm,DCDC}$       | TX only run current DC/DC, 3 V $P_{RF} = -16$ dBm                   |      | 2.8  |      | mA    |
| $I_{TX,MINUS16dBm}$            | TX only run current $P_{RF} = -16$ dBm                              | ..   | 6.0  | ..   | mA    |
| $I_{TX,MINUS20dBm,DCDC}$       | TX only run current DC/DC, 3 V $P_{RF} = -20$ dBm                   |      | 2.7  |      | mA    |
| $I_{TX,MINUS20dBm}$            | TX only run current $P_{RF} = -20$ dBm                              | ..   | 5.6  | ..   | mA    |



| Symbol                   | Description                                       | Min. | Typ. | Max. | Units |
|--------------------------|---------------------------------------------------|------|------|------|-------|
| $I_{TX,MINUS40dBm,DCDC}$ | TX only run current DC/DC, 3 V $P_{RF} = -40$ dBm |      | 2.3  |      | mA    |
| $I_{TX,MINUS40dBm}$      | TX only run current $P_{RF} = -40$ dBm            | ..   | 4.6  | ..   | mA    |
| $I_{START,TX,DCDC}$      | TX start-up current DC/DC, 3 V, $P_{RF} = 4$ dBm  |      | 5.2  |      | mA    |
| $I_{START,TX}$           | TX start-up current, $P_{RF} = 4$ dBm             |      | 11.0 |      | mA    |

### 5.3.3. Radio Current Consumption (Receiver)

| Symbol                 | Description                                          | Min. | Typ. | Max. | Units |
|------------------------|------------------------------------------------------|------|------|------|-------|
| $I_{RX,1M,DCDC}$       | RX only run current (DC/DC, 3 V) 1 Mbps / 1 Mbps BLE | ..   | 4.6  | ..   | mA    |
| $I_{RX,1M}$            | RX only run current (LDO, 3 V) 1 Mbps / 1 Mbps BLE   | ..   | 9.9  | ..   | mA    |
| $I_{RX,2M,DCDC}$       | RX only run current (DC/DC, 3 V) 2 Mbps / 2 Mbps BLE | ..   | 5.2  | ..   | mA    |
| $I_{RX,2M}$            | RX only run current (LDO, 3 V) 2 Mbps / 2 Mbps BLE   | ..   | 11.1 | ..   | mA    |
| $I_{START,RX,1M,DCDC}$ | RX start-up current (DC/DC, 3 V) 1 Mbps / 1 Mbps BLE |      | 3.7  |      | mA    |
| $I_{START,RX,1M}$      | RX start-up current 1 Mbps / 1 Mbps BLE              |      | 6.7  |      | mA    |

### 5.3.4. Transmitter Specification

| Symbol                       | Description                                        | Min. | Typ.  | Max.    | Units |
|------------------------------|----------------------------------------------------|------|-------|---------|-------|
| $P_{RF}$                     | Maximum output power                               | ..   | 8.0   | ..      | dBm   |
| $P_{RFC}$                    | RF power control range                             |      | 28.0  |         | dB    |
| $P_{RFCR}$                   | RF power accuracy                                  |      |       | $\pm 4$ | dB    |
| $P_{RF1,1}$                  | 1st Adjacent Channel Transmit Power 1 MHz (1 Mbps) | ..   | -24.8 | ..      | dBc   |
| $P_{RF2,1}$                  | 2nd Adjacent Channel Transmit Power 2 MHz (1 Mbps) | ..   | -54.0 | ..      | dBc   |
| $P_{RF1,2}$                  | 1st Adjacent Channel Transmit Power 2 MHz (2 Mbps) | ..   | -25   | ..      | dBc   |
| $P_{RF2,2}$                  | 2nd Adjacent Channel Transmit Power 4 MHz (2 Mbps) | ..   | -54.0 | ..      | dBc   |
| $E_{vm}$                     | Error vector magnitude IEEE 802.15.4               | ..   | 8     | ..      | %rms  |
| $P_{harm2nd, IEEE 802.15.4}$ | 2nd harmonics in IEEE 802.15.4 mode                | ..   | -51.0 | ..      | dBm   |
| $P_{harm3rd, IEEE 802.15.4}$ | 3rd harmonics in IEEE 802.15.4                     |      | -48.0 | ..      | dBm   |

### 5.3.5. RSSI Specifications

| Symbol              | Description                                  | Min. | Typ.    | Max. | Units   |
|---------------------|----------------------------------------------|------|---------|------|---------|
| $RSSI_{ACC}$        | RSSI accuracy valid range -90 to -20 dBm     |      | $\pm 2$ |      | dB      |
| $RSSI_{RESOLUTION}$ | RSSI resolution                              |      | 1       |      | dB      |
| $RSSI_{PERIOD}$     | RSSI sampling time from $RSSI\_START$ task   |      | 0.25    |      | $\mu s$ |
| $RSSI_{SETTLE}$     | RSSI settling time after signal level change |      | 15      |      | $\mu s$ |

## 5.3.6. Receiver Operation

| Symbol                          | Description                                                                                | Min. | Typ. | Max. | Units |
|---------------------------------|--------------------------------------------------------------------------------------------|------|------|------|-------|
| P <sub>RX,MAX</sub>             | Maximum received signal strength at < 0.1% PER                                             |      | 0    |      | dBm   |
| P <sub>SENS,IT,1M</sub>         | Sensitivity, 1 Mbps nRF mode ideal transmitter <sup>1</sup>                                |      | -93  |      | dBm   |
| P <sub>SENS,IT,2M</sub>         | Sensitivity, 2 Mbps nRF mode ideal transmitter <sup>2</sup>                                |      | -89  |      | dBm   |
| P <sub>SENS,IT,SP,1M,BLE</sub>  | Sensitivity, 1 Mbps BLE ideal transmitter, packet length ≤ 37 bytes BER=1E-3 <sup>3</sup>  |      | -95  |      | dBm   |
| P <sub>SENS,IT,LP,1M,BLE</sub>  | Sensitivity, 1 Mbps BLE ideal transmitter, packet length ≥ 128 bytes BER=1E-4 <sup>4</sup> |      | -94  |      | dBm   |
| P <sub>SENS,IT,SP,2M,BLE</sub>  | Sensitivity, 2 Mbps BLE ideal transmitter, packet length ≤ 37 bytes                        |      | -92  |      | dBm   |
| P <sub>SENS,IT,BLE LE125k</sub> | Sensitivity, 125 kbps BLE mode                                                             |      | -103 |      | dBm   |
| P <sub>SENS,IT,BLE LE500k</sub> | Sensitivity, 500 kbps BLE mode                                                             |      | -99  |      | dBm   |
| P <sub>SENS,IEEE 802.15.4</sub> | Sensitivity in IEEE 802.15.4 mode                                                          |      | -100 |      | dBm   |

1. Typical sensitivity applies when ADDR0 is used for receiver address correlation. When ADDR[1...7] are used for receiver address correlation, the typical sensitivity for this mode is degraded by 3 dB.
2. Same as above.
3. As defined in the Bluetooth Core Specification v4.0 Volume 6: Core System Package (Low Energy Controller Volume)
4. Equivalent BER limit < 10E-04

## 5.3.7. RX Selectivity

| Symbol                          | Description                                              | Min. | Typ. | Max. | Units |
|---------------------------------|----------------------------------------------------------|------|------|------|-------|
| C/I <sub>1M,co-channel</sub>    | 1Mbps mode, Co-Channel interference                      |      | 9    |      | dB    |
| C/I <sub>1M,-1MHz</sub>         | 1 Mbps mode, Adjacent (-1 MHz) interference              |      | -2   |      | dB    |
| C/I <sub>1M,+1MHz</sub>         | 1 Mbps mode, Adjacent (+1 MHz) interference              |      | -10  |      | dB    |
| C/I <sub>1M,-2MHz</sub>         | 1 Mbps mode, Adjacent (-2 MHz) interference              |      | -19  |      | dB    |
| C/I <sub>1M,+2MHz</sub>         | 1 Mbps mode, Adjacent (+2 MHz) interference              |      | -42  |      | dB    |
| C/I <sub>1M,-3MHz</sub>         | 1 Mbps mode, Adjacent (-3 MHz) interference              |      | -38  |      | dB    |
| C/I <sub>1M,+3MHz</sub>         | 1 Mbps mode, Adjacent (+3 MHz) interference              |      | -48  |      | dB    |
| C/I <sub>1M,±6MHz</sub>         | 1 Mbps mode, Adjacent (≥6 MHz) interference              |      | -50  |      | dB    |
| C/I <sub>1MBLE,co-channel</sub> | 1 Mbps BLE mode, Co-Channel interference                 |      | 6    |      | dB    |
| C/I <sub>1MBLE,-1MHz</sub>      | 1 Mbps BLE mode, Adjacent (-1 MHz) interference          |      | -2   |      | dB    |
| C/I <sub>1MBLE,+1MHz</sub>      | 1 Mbps BLE mode, Adjacent (+1 MHz) interference          |      | -9   |      | dB    |
| C/I <sub>1MBLE,-2MHz</sub>      | 1 Mbps BLE mode, Adjacent (-2 MHz) interference          |      | -22  |      | dB    |
| C/I <sub>1MBLE,+2MHz</sub>      | 1 Mbps BLE mode, Adjacent (+2 MHz) interference          |      | -46  |      | dB    |
| C/I <sub>1MBLE,&gt;3MHz</sub>   | 1 Mbps BLE mode, Adjacent (≥3 MHz) interference          |      | -50  |      | dB    |
| C/I <sub>1MBLE,image</sub>      | Image frequency interference                             |      | -22  |      | dB    |
| C/I <sub>1MBLE,image,1MHz</sub> | Adjacent (1 MHz) interference to in-band image frequency |      | -35  |      | dB    |
| C/I <sub>2M,co-channel</sub>    | 2 Mbps mode, Co-Channel interference                     |      | 10   |      | dB    |

| Symbol                                | Description                                              | Min. | Typ. | Max. | Units |
|---------------------------------------|----------------------------------------------------------|------|------|------|-------|
| C/I <sub>2M,-2MHz</sub>               | 2 Mbps mode, Adjacent (-2 MHz) interference              |      | 6    |      | dB    |
| C/I <sub>2M,+2MHz</sub>               | 2 Mbps mode, Adjacent (+2 MHz) interference              |      | -19  |      | dB    |
| C/I <sub>2M,-4MHz</sub>               | 2 Mbps mode, Adjacent (-4 MHz) interference              |      | -20  |      | dB    |
| C/I <sub>2M,+4MHz</sub>               | 2 Mbps mode, Adjacent (+4 MHz) interference              |      | -44  |      | dB    |
| C/I <sub>2M,-6MHz</sub>               | 2 Mbps mode, Adjacent (-6 MHz) interference              |      | -42  |      | dB    |
| C/I <sub>2M,+6MHz</sub>               | 2 Mbps mode, Adjacent (+6 MHz) interference              |      | -42  |      | dB    |
| C/I <sub>2M,≥12MHz</sub>              | 2 Mbps mode, Adjacent (≥12 MHz) interference             |      | -52  |      | dB    |
| C/I <sub>2M BLE,co-channel</sub>      | 2 Mbps BLE mode, Co-Channel interference                 |      | 6.8  |      | dB    |
| C/I <sub>2M BLE,±2MHz</sub>           | 2 Mbps BLE mode, Adjacent (±2 MHz) interference          |      | -10  |      | dB    |
| C/I <sub>2M BLE,±4MHz</sub>           | 2 Mbps BLE mode, Adjacent (±4 MHz) interference          |      | -45  |      | dB    |
| C/I <sub>2M BLE,≥6MHz</sub>           | 2 Mbps BLE mode, Adjacent (≥6 MHz) interference          |      | -48  |      | dB    |
| C/I <sub>2M BLE,image</sub>           | Image frequency interference                             |      | -24  |      | dB    |
| C/I <sub>2M BLE,image, 2MHz</sub>     | Adjacent (2 MHz) interference to in-band image frequency |      | -35  |      | dB    |
| C/I <sub>125k BLE LR,co-channel</sub> | 125 kbps BLE LR mode, Co-Channel interference            |      | 4.4  |      | dB    |
| C/I <sub>125k BLE LR,-1MHz</sub>      | 125 kbps BLE LR mode, Adjacent (-1 MHz) interference     |      | -4.0 |      | dB    |
| C/I <sub>125k BLE LR,+1MHz</sub>      | 125 kbps BLE LR mode, Adjacent (+1 MHz) interference     |      | -12  |      | dB    |
| C/I <sub>125k BLE LR,-2MHz</sub>      | 125 kbps BLE LR mode, Adjacent (-2 MHz) interference     |      | -28  |      | dB    |
| C/I <sub>125k BLE LR,+2MHz</sub>      | 125 kbps BLE LR mode, Adjacent (+2 MHz) interference     |      | -50  |      | dB    |
| C/I <sub>125k BLE LR,&gt;3MHz</sub>   | 125 kbps BLE LR mode, Adjacent (≥3 MHz) interference     |      | -55  |      | dB    |
| C/I <sub>125k BLE LR,image</sub>      | Image frequency interference                             |      | -29  |      | dB    |

Remark: Wanted signal level at PIN = -67 dBm. One interferer is used, having equal modulation as the wanted signal. The input power of the interferer where the sensitivity equals BER = 0.1% is presented.

### 5.3.8. RX Intermodulation

| Symbol                      | Description                                                                | Min. | Typ. | Max. | Units |
|-----------------------------|----------------------------------------------------------------------------|------|------|------|-------|
| P <sub>IMD,5TH,1M</sub>     | IMD performance, 1 Msps, 5th offset channel, Packet length <= 37 bytes     |      | -33  |      | dBm   |
| P <sub>IMD,5TH,1M,BLE</sub> | IMD performance, BLE 1 Msps, 5th offset channel, Packet length <= 37 bytes |      | -30  |      | dBm   |
| P <sub>IMD,5TH,2M</sub>     | IMD performance, 2 Msps, 5th offset channel, Packet length <= 37 bytes     |      | -33  |      | dBm   |
| P <sub>IMD,5TH,2M,BLE</sub> | IMD performance, BLE 2 Msps, 5th offset channel, Packet length <= 37 bytes |      | -31  |      | dBm   |

Remark: Wanted signal level at PIN = -64dBm. Two interferers with equal input power are used. The interferer closet in frequency is not modulated, the other interferer is modulated equal with the wanted signal. The input power of the interferers where the sensitivity equals BER = 0.1% is presented.

## 5.3.9. Radio Timing Parameters

| Symbol                         | Description                                                                                                                   | Min. | Typ. | Max. | Units   |
|--------------------------------|-------------------------------------------------------------------------------------------------------------------------------|------|------|------|---------|
| $t_{TXEN,BLE,1M}$              | Time between TXEN task and READY event after channel FREQUENCY configured (1 Mbps BLE and 150 $\mu$ s TIFS)                   | 140  |      | 140  | $\mu$ s |
| $t_{TXEN,FAST,BLE,1M}$         | Time between TXEN task and READY event after channel FREQUENCY configured (1 Mbps BLE with fast ramp-up and 150 $\mu$ s TIFS) | 40   |      | 40   | $\mu$ s |
| $t_{TXDIS,BLE,1M}$             | When in TX, delay between DISABLE task and DISABLED event for MODE = Nrf_1Mbit and MODE = Ble_1Mbit                           | 6    |      | 6    | $\mu$ s |
| $t_{RXEN,BLE,1M}$              | Time between the RXEN task and READY event after channel FREQUENCY configured (1 Mbps BLE)                                    | 140  |      | 140  | $\mu$ s |
| $t_{RXEN,FAST,BLE,1M}$         | Time between the RXEN task and READY event after channel FREQUENCY configured (1 Mbps BLE with fast ramp-up)                  | 40   |      | 40   | $\mu$ s |
| $t_{RXDIS,BLE,1M}$             | When in RX, delay between DISABLE task and DISABLED event for MODE = Nrf_1Mbit and MODE = Ble_1Mbit                           | 0    |      | 0    | $\mu$ s |
| $t_{TXDIS,BLE,2M}$             | When in TX, delay between DISABLE task and DISABLED event for MODE = Nrf_2Mbit and MODE = Ble_2Mbit                           | 4    |      | 4    | $\mu$ s |
| $t_{RXDIS,BLE,2M}$             | When in RX, delay between DISABLE task and DISABLED event for MODE = Nrf_2Mbit and MODE = Ble_2Mbit                           | 0    |      | 0    | $\mu$ s |
| $t_{TXEN,IEEE\ 802.15.4}$      | Time between TXEN task and READY event after channel FREQUENCY configured (IEEE 802.15.4)                                     | 130  |      | 130  | $\mu$ s |
| $t_{TXEN,FAST,IEEE\ 802.15.4}$ | Time between TXEN task and READY event after channel FREQUENCY configured (IEEE 802.15.4 with fast ramp-up)                   | 40   |      | 40   | $\mu$ s |
| $t_{TXDIS,IEEE\ 802.15.4}$     | When in TX, delay between DISABLE task and DISABLED event (IEEE 802.15.4)                                                     | 21   |      | 21   | $\mu$ s |
| $t_{RXEN,IEEE\ 802.15.4}$      | Time between the RXEN task and READY event after channel FREQUENCY configured (IEEE 802.15.4)                                 | 130  |      | 130  | $\mu$ s |
| $t_{RXEN,FAST,IEEE\ 802.15.4}$ | Time between the RXEN task and READY event after channel FREQUENCY configured (IEEE 802.15.4 with fast ramp-up)               | 40   |      | 40   | $\mu$ s |
| $t_{RXDIS,IEEE\ 802.15.4}$     | When in RX, delay between DISABLE task and DISABLED event (IEEE 802.15.4)                                                     | 0.5  |      | 0.5  | $\mu$ s |
| $t_{RX-to-TX\ turnaround}$     | Maximum TX-to-RX or RX-to-TX turnaround time in IEEE 802.15.4 mode                                                            |      | 40   |      | $\mu$ s |

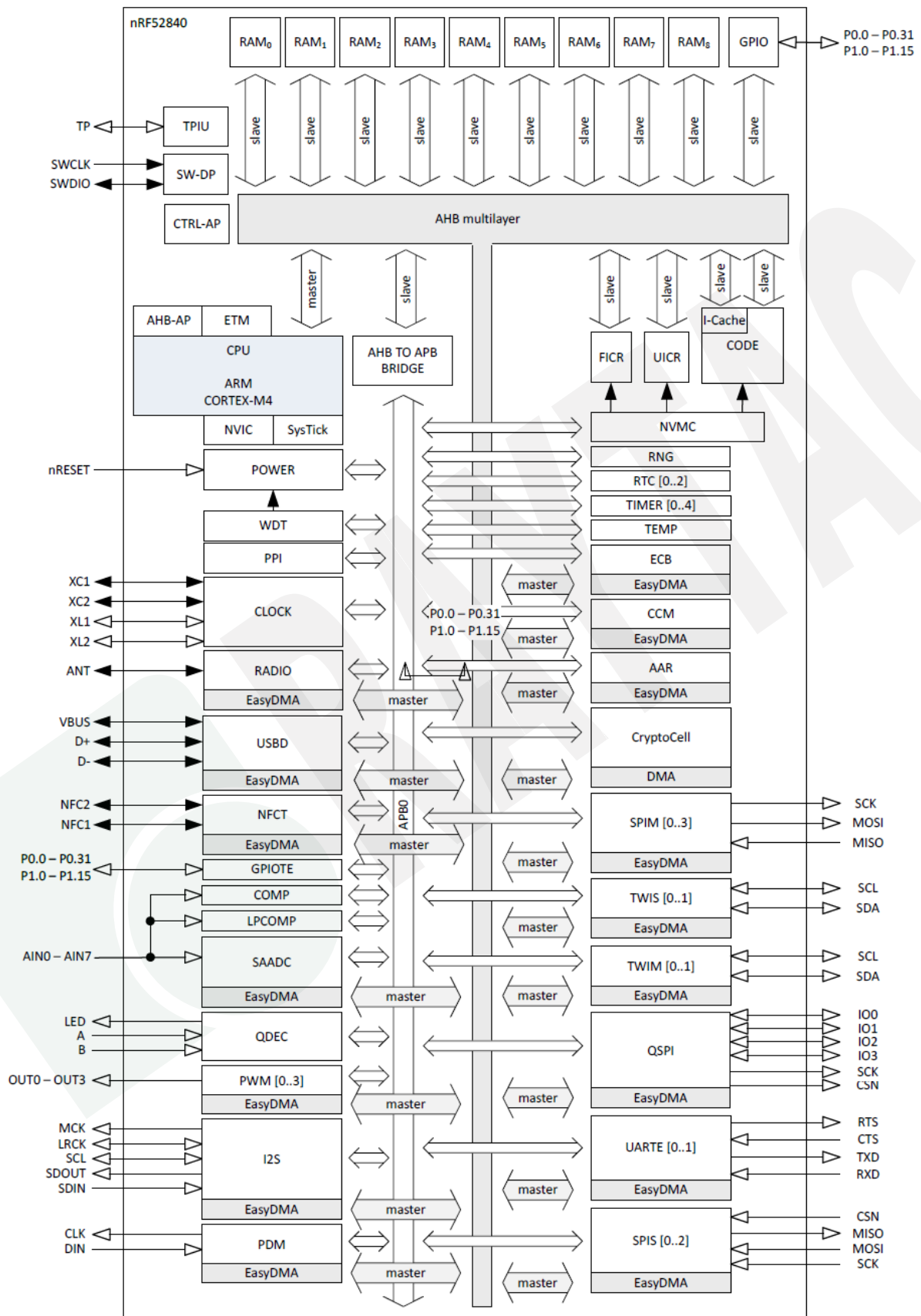
## 5.3.10. CPU

| Symbol           | Description                                                          | Min. | Typ. | Max. | Units            |
|------------------|----------------------------------------------------------------------|------|------|------|------------------|
| $W_{FLASH}$      | CPU wait states, running CoreMark from flash, cache disabled         |      |      | 2    |                  |
| $W_{FLASHCACHE}$ | CPU wait states, running CoreMark from flash, cache enabled          |      |      | 3    |                  |
| $W_{RAM}$        | CPU wait states, running CoreMark from RAM                           |      |      | 0    |                  |
| $CM_{FLASH}$     | CoreMark, running CoreMark from flash, cache enabled                 |      | 212  |      | Coref            |
| $CM_{FLASH/MHz}$ | CoreMark per MHz, running CoreMark from flash, cache enabled         |      | 3.3  |      | CoreMark/<br>MHz |
| $CM_{FLASH/ma}$  | CoreMark per mA, running CoreMark from flash, cache enabled, DCDC 3V |      | 64   |      | Coref<br>mA      |

## 5.3.11. Power Management

| Symbol                       | Description                                                                             | Min. | Typ.  | Max. | Units   |
|------------------------------|-----------------------------------------------------------------------------------------|------|-------|------|---------|
| $I_{ON\_RAMOFF\_EVENT}$      | System ON, no RAM retention, wake on any event                                          |      | 0.97  |      | $\mu A$ |
| $I_{ON\_RAMON\_EVENT}$       | System ON, full 256 kB RAM retention, wake on any event                                 |      | 2.35  |      | $\mu A$ |
| $I_{ON\_RAMON\_POF}$         | System ON, full 256 kB RAM retention, wake on any event, power-fail comparator enabled  |      | 2.35  |      | $\mu A$ |
| $I_{ON\_RAMON\_GPIOE}$       | System ON, full 256 kB RAM retention, wake on GPIOE input (event mode)                  |      | 17.37 |      | $\mu A$ |
| $I_{ON\_RAMON\_GPIOEPORT}$   | System ON, full 256 kB RAM retention, wake on GPIOE PORT event                          |      | 2.36  |      | $\mu A$ |
| $I_{ON\_RAMOFF\_RTC}$        | System ON, no RAM retention, wake on RTC (running from LFRC clock)                      |      | 1.5   |      | $\mu A$ |
| $I_{ON\_RAMON\_RTC}$         | System ON, full 256 kB RAM retention, wake on RTC (running from LFRC clock)             |      | 3.16  |      | $\mu A$ |
| $I_{OFF\_RAMOFF\_RESET}$     | System OFF, no RAM retention, wake on reset                                             |      | 0.40  |      | $\mu A$ |
| $I_{OFF\_RAMOFF\_LPCOMP}$    | System OFF, no RAM retention, wake on LPCOMP                                            |      | 0.86  |      | $\mu A$ |
| $I_{OFF\_RAMON\_RESET}$      | System OFF, full 256 kB RAM retention, wake on reset                                    |      | 1.86  |      | $\mu A$ |
| $I_{ON\_RAMOFF\_EVENT\_5V}$  | System ON, no RAM retention, wake on any event, 5 V supply on VDDH, REG0 output = 3.3 V |      | 1.29  |      | $\mu A$ |
| $I_{OFF\_RAMOFF\_RESET\_5V}$ | System OFF, no RAM retention, wake on reset, 5 V supply on VDDH, REG0 output = 3.3 V    |      | 0.95  |      | $\mu A$ |

# 6. Block Diagram

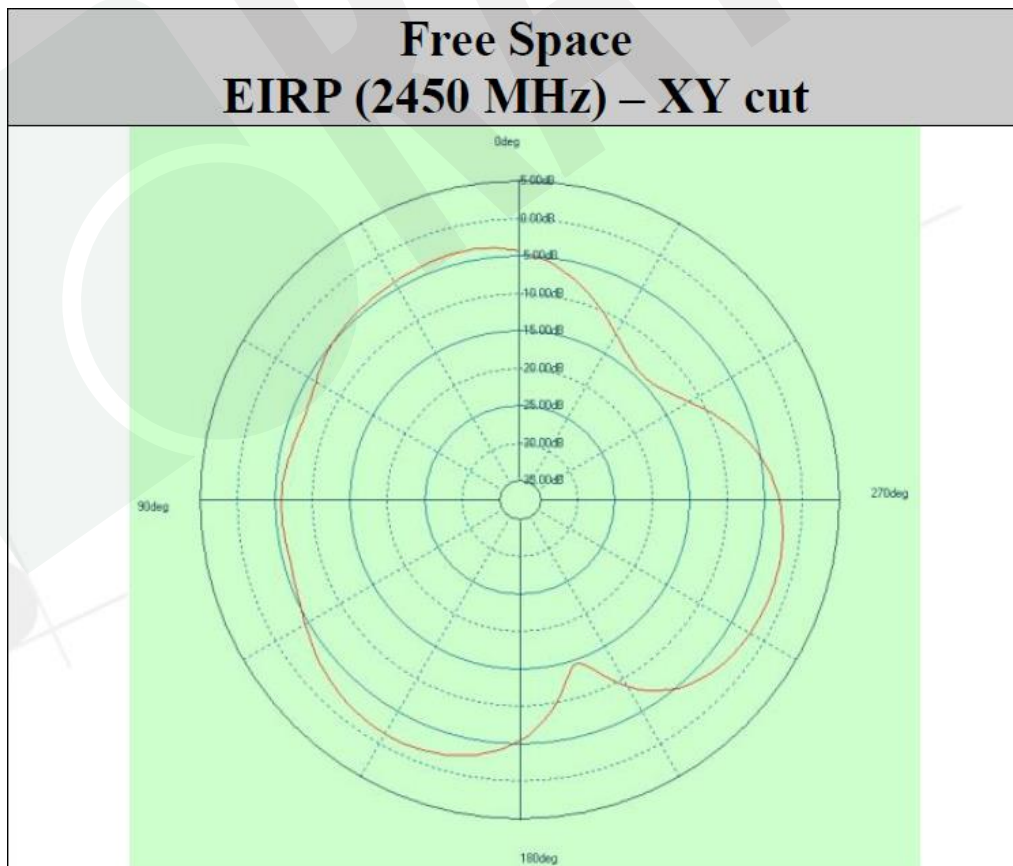


# 7. Antenna

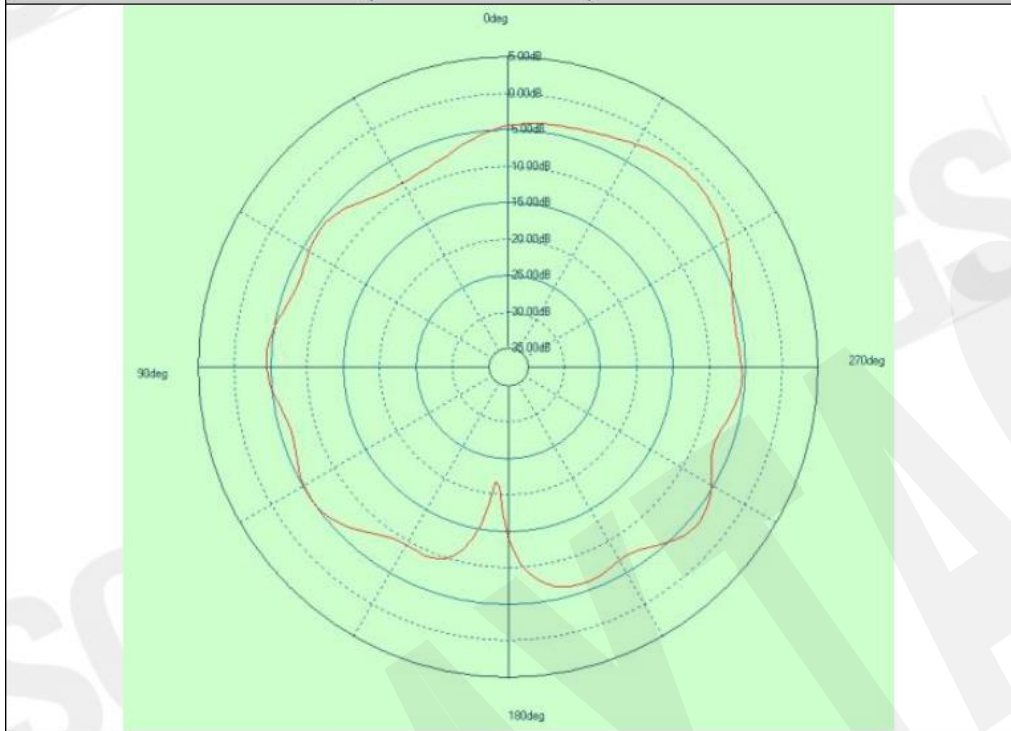
## 7.1. MDBT50Q

### Antenna Gain and Efficiency

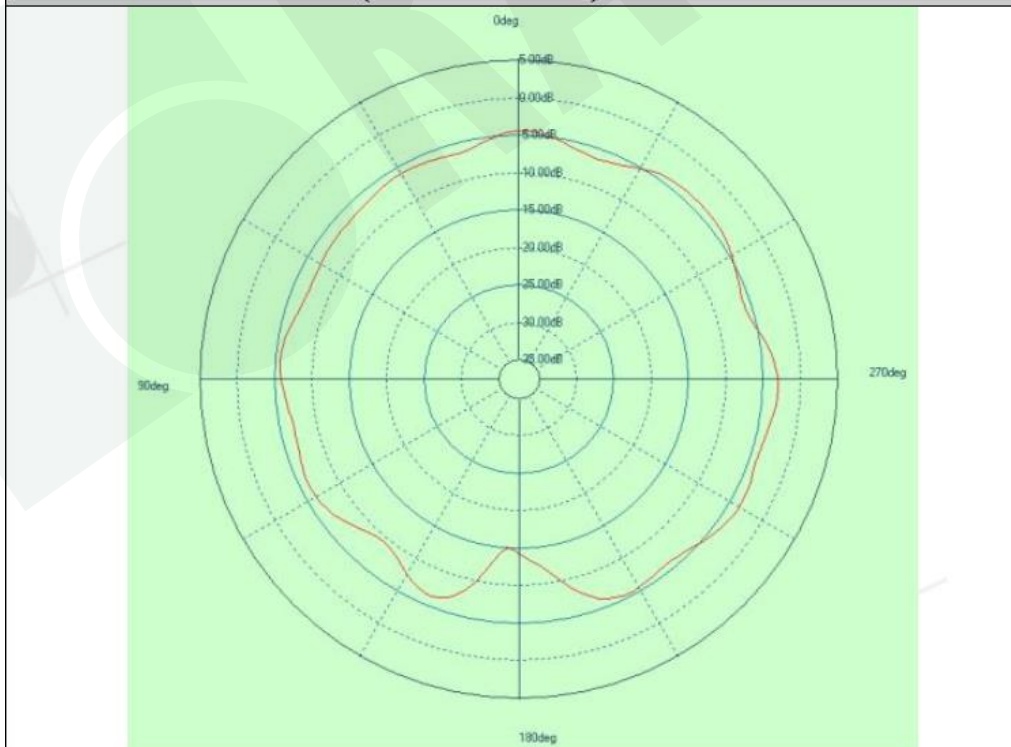
| MDBT50Q (CHIP antenna) |           |            |               |
|------------------------|-----------|------------|---------------|
| Freq(MHz)              | Peak. dBi | Efficiency | Average . dBi |
| 2400.00                | -1.47     | 25.18%     | -5.99         |
| 2410.00                | -1.27     | 26.07%     | -5.84         |
| 2420.00                | -1.32     | 27.15%     | -5.66         |
| 2430.00                | -1.12     | 28.51%     | -5.45         |
| 2440.00                | -0.80     | 29.41%     | -5.32         |
| 2450.00                | -0.65     | 29.59%     | -5.29         |
| 2460.00                | -0.82     | 28.98%     | -5.38         |
| 2470.00                | -0.94     | 29.31%     | -5.33         |
| 2480.00                | -0.88     | 29.12%     | -5.36         |
| 2490.00                | -0.98     | 27.60%     | -5.59         |
| 2500.00                | -1.49     | 24.96%     | -6.03         |



## Free Space EIRP (2450 MHz) – XZ cut



## Free Space EIRP (2450 MHz) – YZ cut

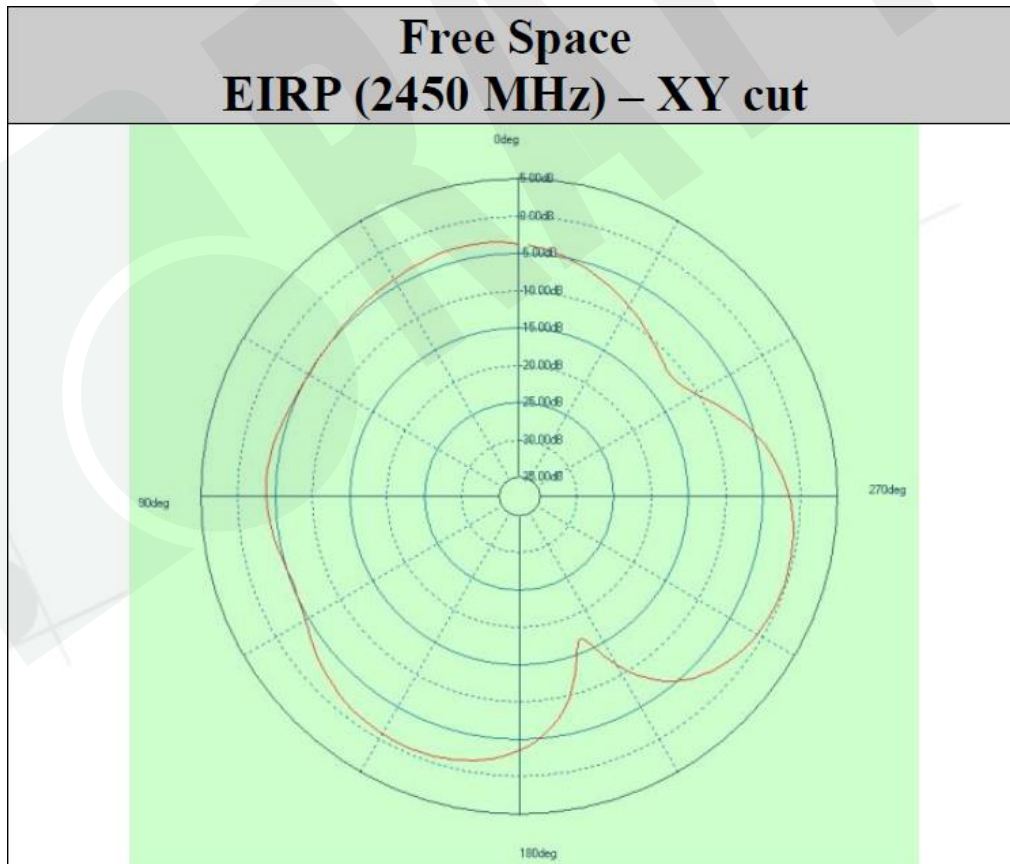




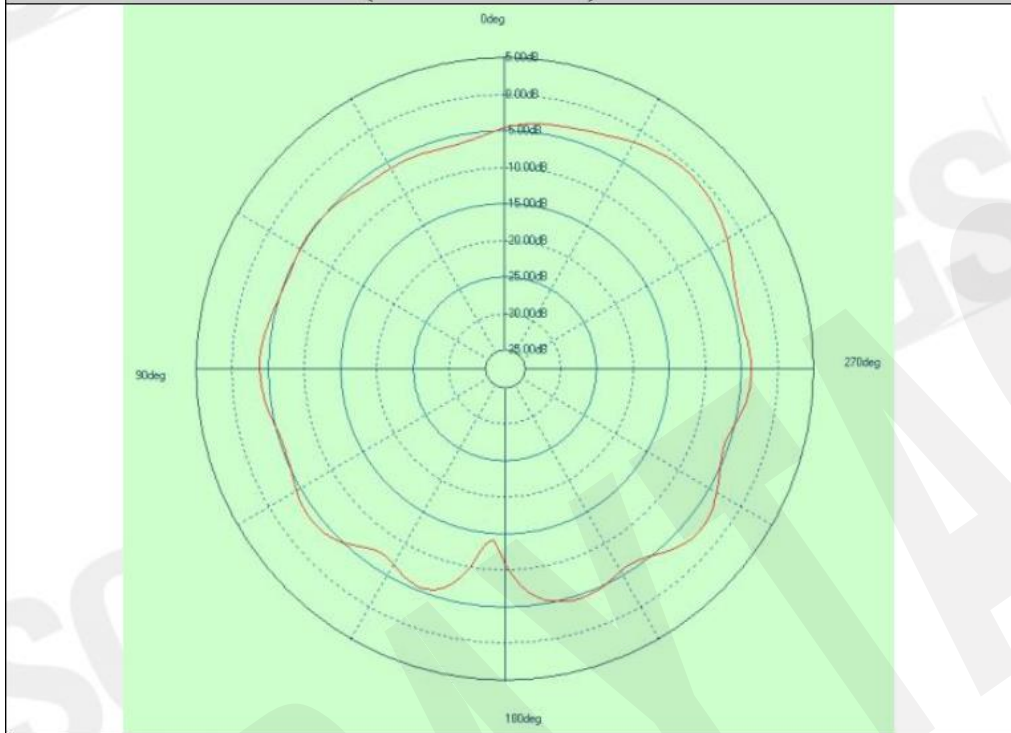
## 7.2. MDBT50Q-P

### Antenna Gain and Efficiency

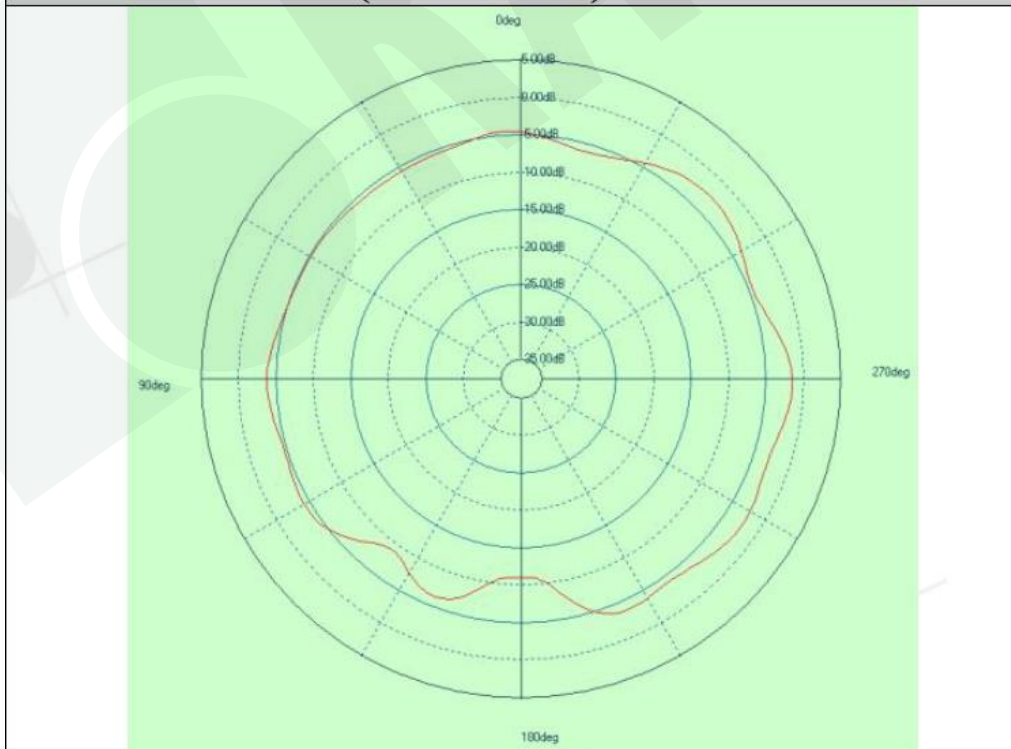
| MDBT50Q (PCB antenna) |           |            |               |
|-----------------------|-----------|------------|---------------|
| Freq(MHz)             | Peak. dBi | Efficiency | Average . dBi |
| 2400.00               | -0.72     | 29.40%     | -5.32         |
| 2410.00               | -0.62     | 31.02%     | -5.08         |
| 2420.00               | -0.44     | 32.89%     | -4.83         |
| 2430.00               | -0.44     | 35.00%     | -4.56         |
| 2440.00               | 0.08      | 36.98%     | -4.32         |
| 2450.00               | 0.05      | 37.76%     | -4.23         |
| 2460.00               | 0.24      | 37.40%     | -4.27         |
| 2470.00               | 0.26      | 37.43%     | -4.27         |
| 2480.00               | 0.41      | 36.96%     | -4.32         |
| 2490.00               | 0.37      | 35.03%     | -4.56         |
| 2500.00               | -0.15     | 31.71%     | -4.99         |



## Free Space EIRP (2450 MHz) – XZ cut



## Free Space EIRP (2450 MHz) – YZ cut



## 8. Reference Circuit

This chapter shows a different combination of reference circuits. **Before getting started, please read below notes carefully because it is applied to all the reference circuits.**

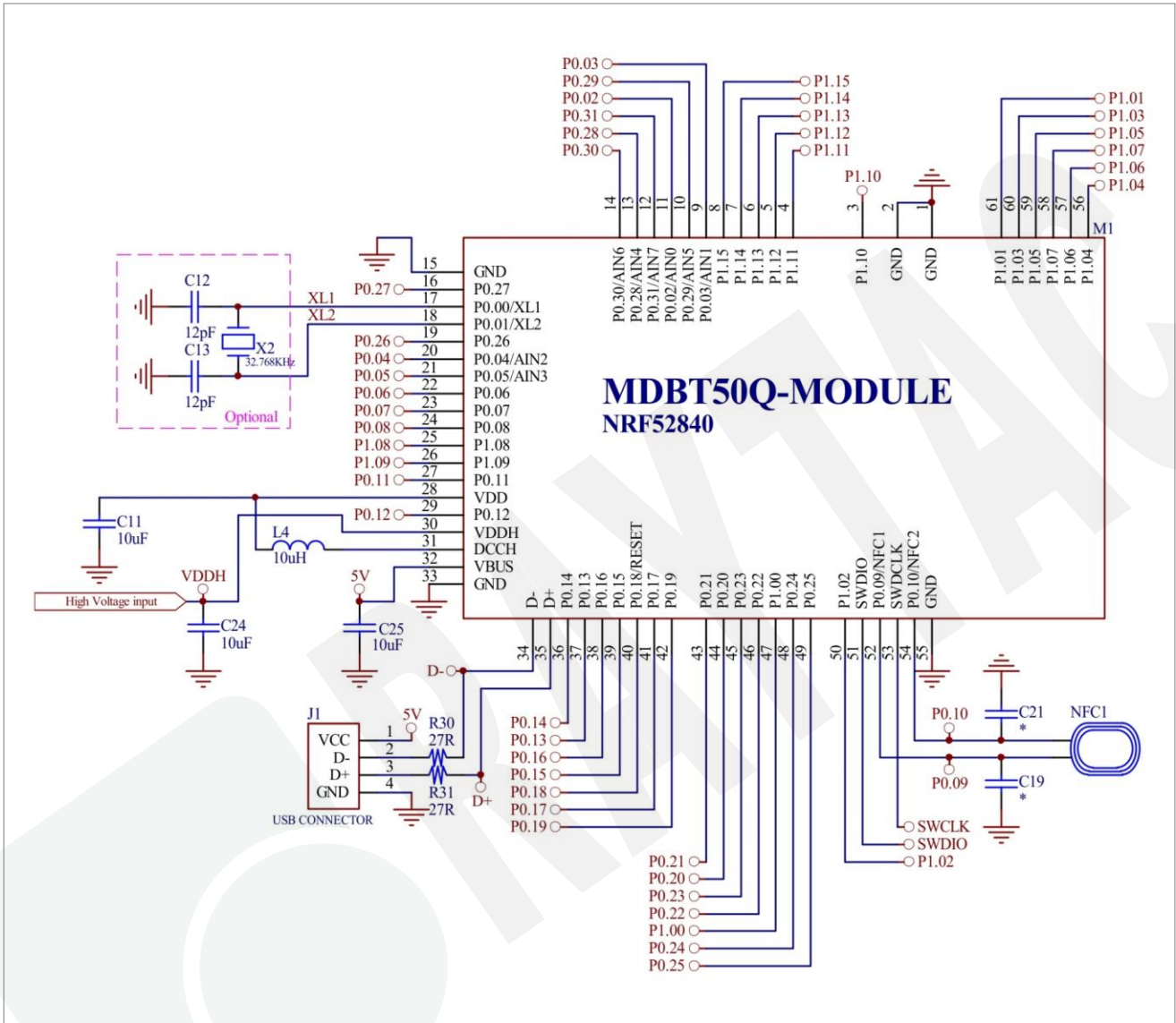
- 32MHz crystal and RF (VDD) DC/DC inductor (Reg1) are already inside the module.
- Module is pre-programmed with Raytac testing code. Default is using LDO mode and need to add external 32.768khz to work.

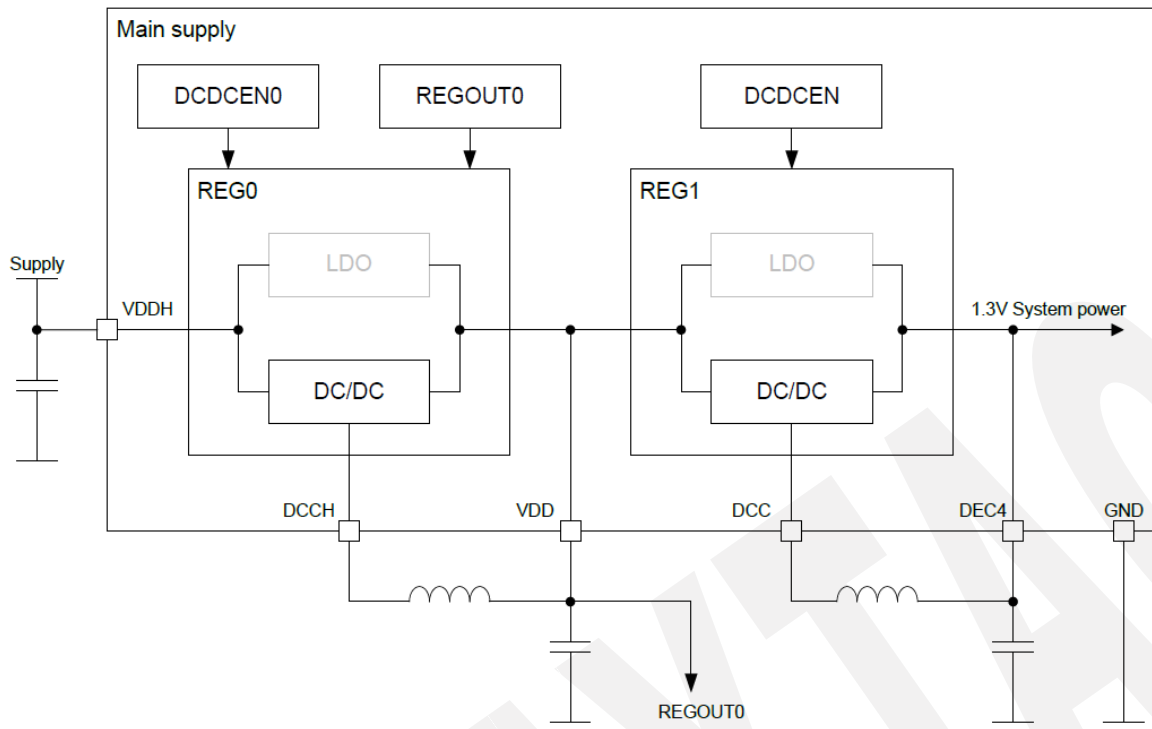
You can use DC-DC mode *without* adding external 32.768khz, they are **NOT** related events.

- When using internal 32.768khz RC oscillator, please remove X2 / C12 / C13.
- Recommended L4 spec: 10 $\mu$ H, 0603 Chip Inductor, IDC, min = 80mA,  $\pm$ 20%.
- When **NOT** using NFC, please remove NFC1 / C19 / C21.

# 8.1. Reg0 DC/DC Enabled

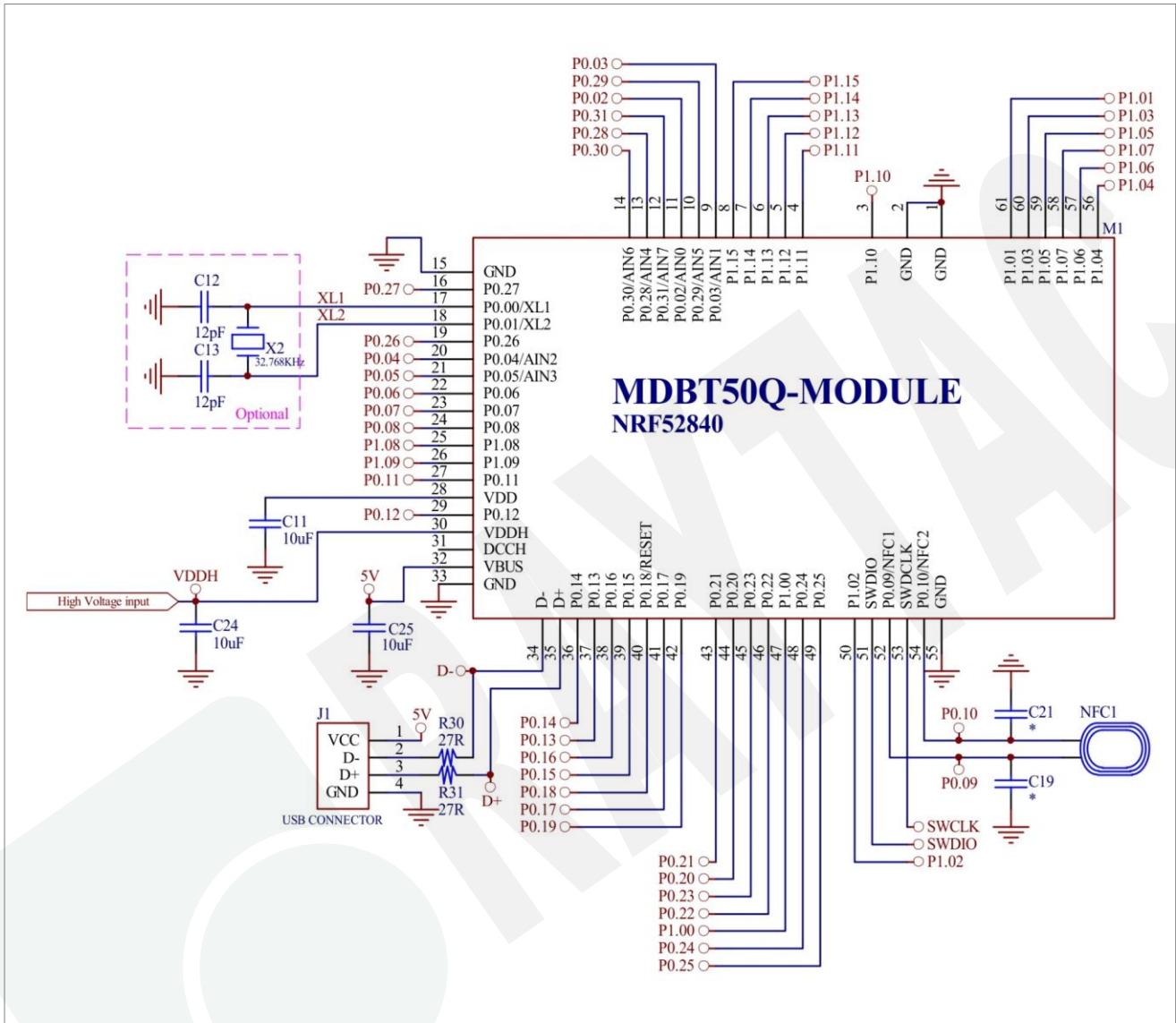
Recommend using when *the highest* input voltage is equal or greater than 3.6V. Supply power from VDDH.

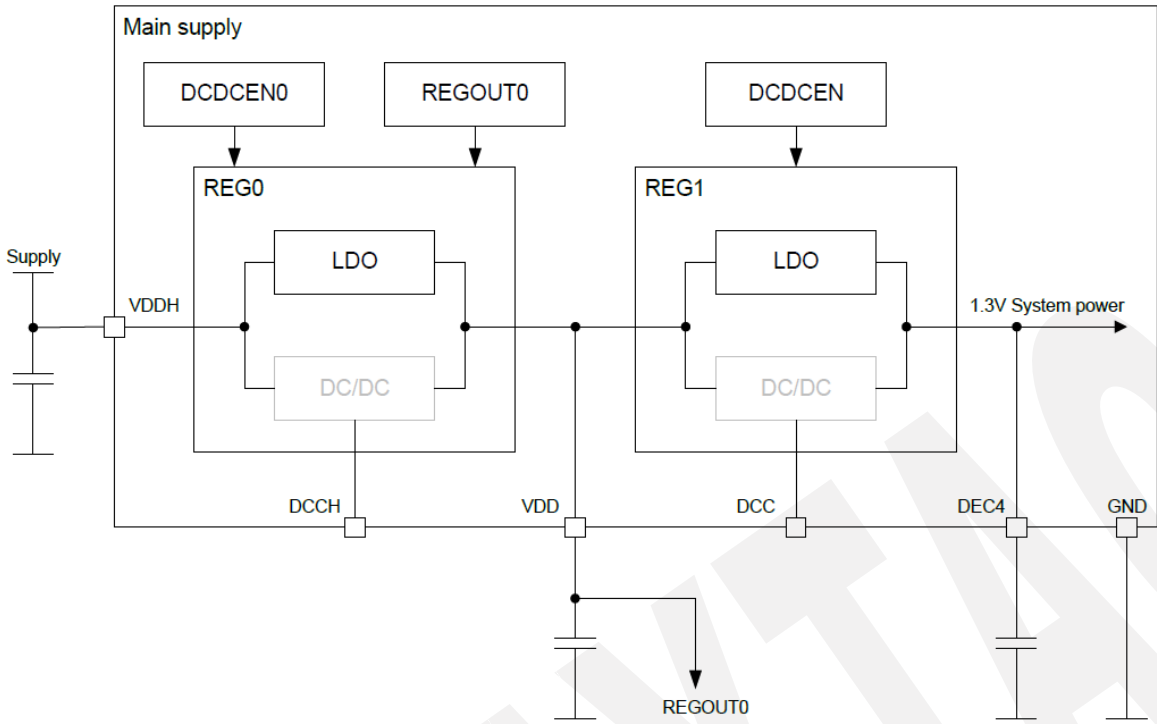




## 8.2. Reg0 LDO Mode

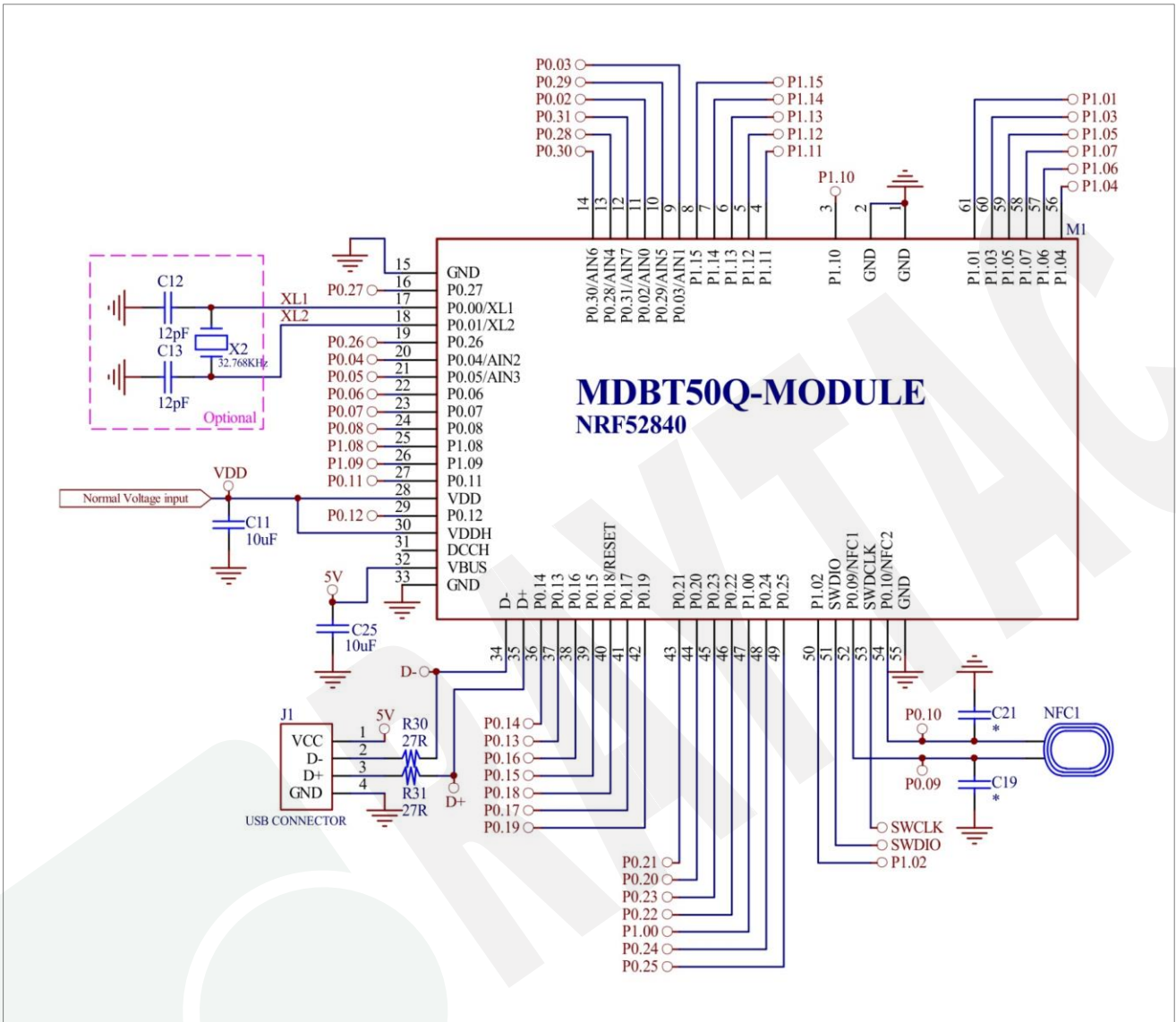
Recommend using when the highest input voltage is equal or greater than 3.6V. Supply power from VDDH.



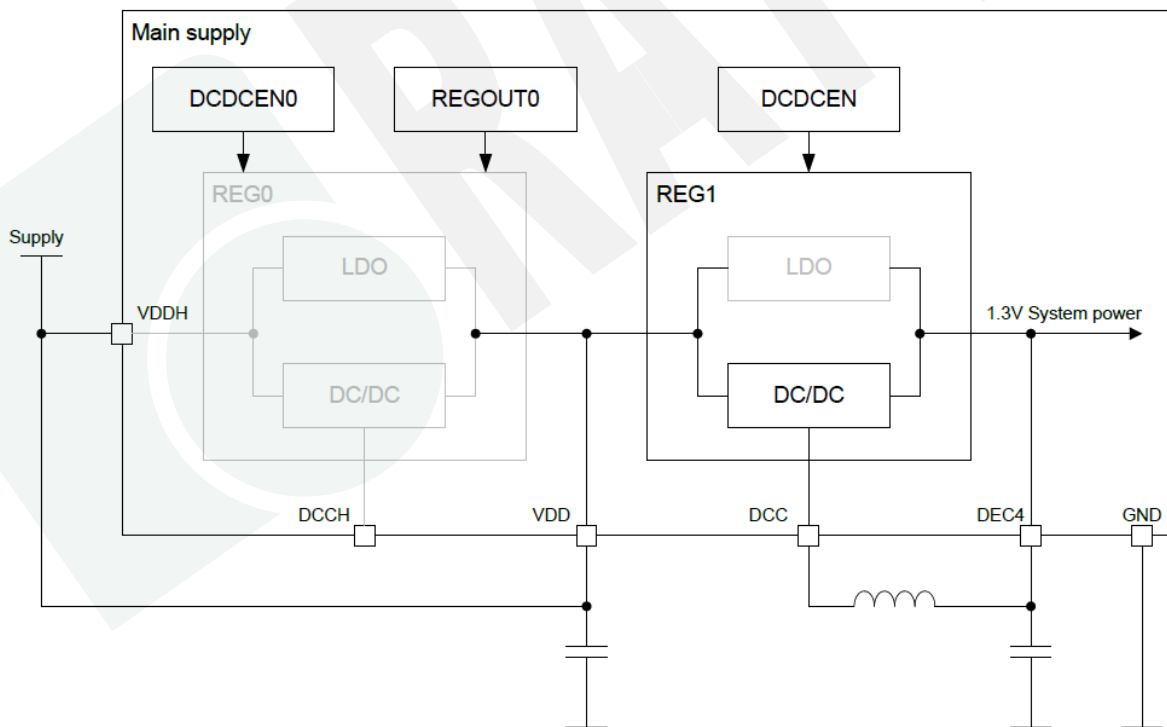
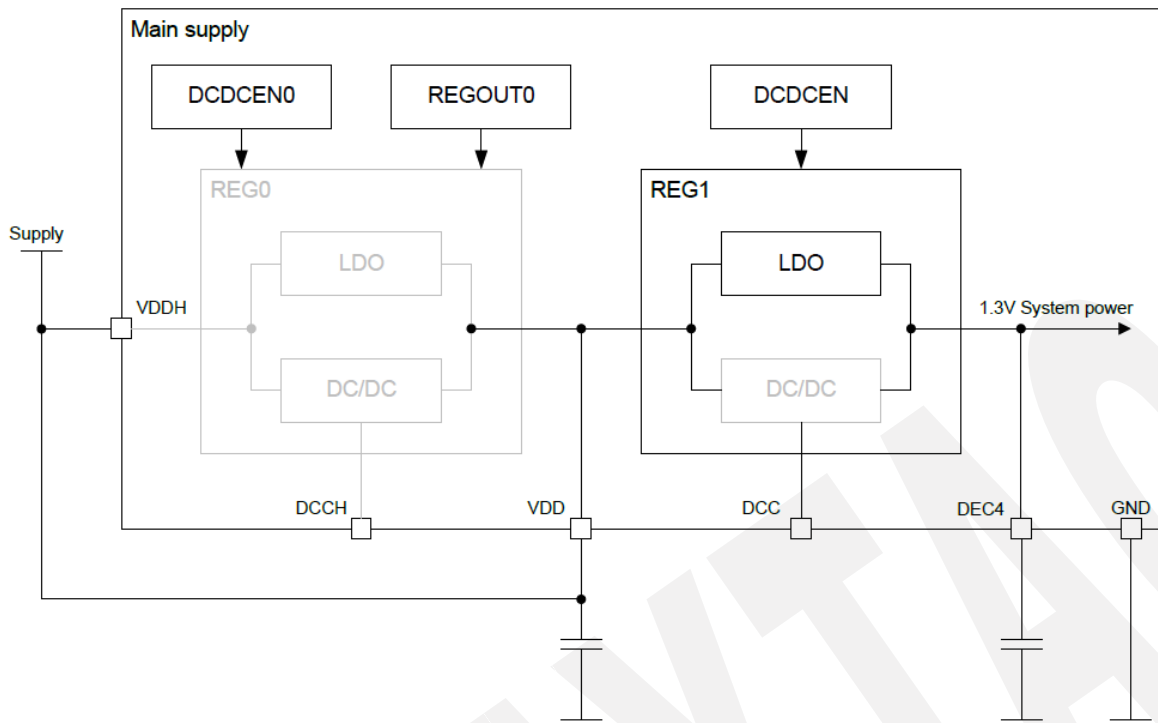


### 8.3. Reg0 DC/DC and LDO Mode Disabled

Recommend using when the highest input voltage is less than 3.6V.



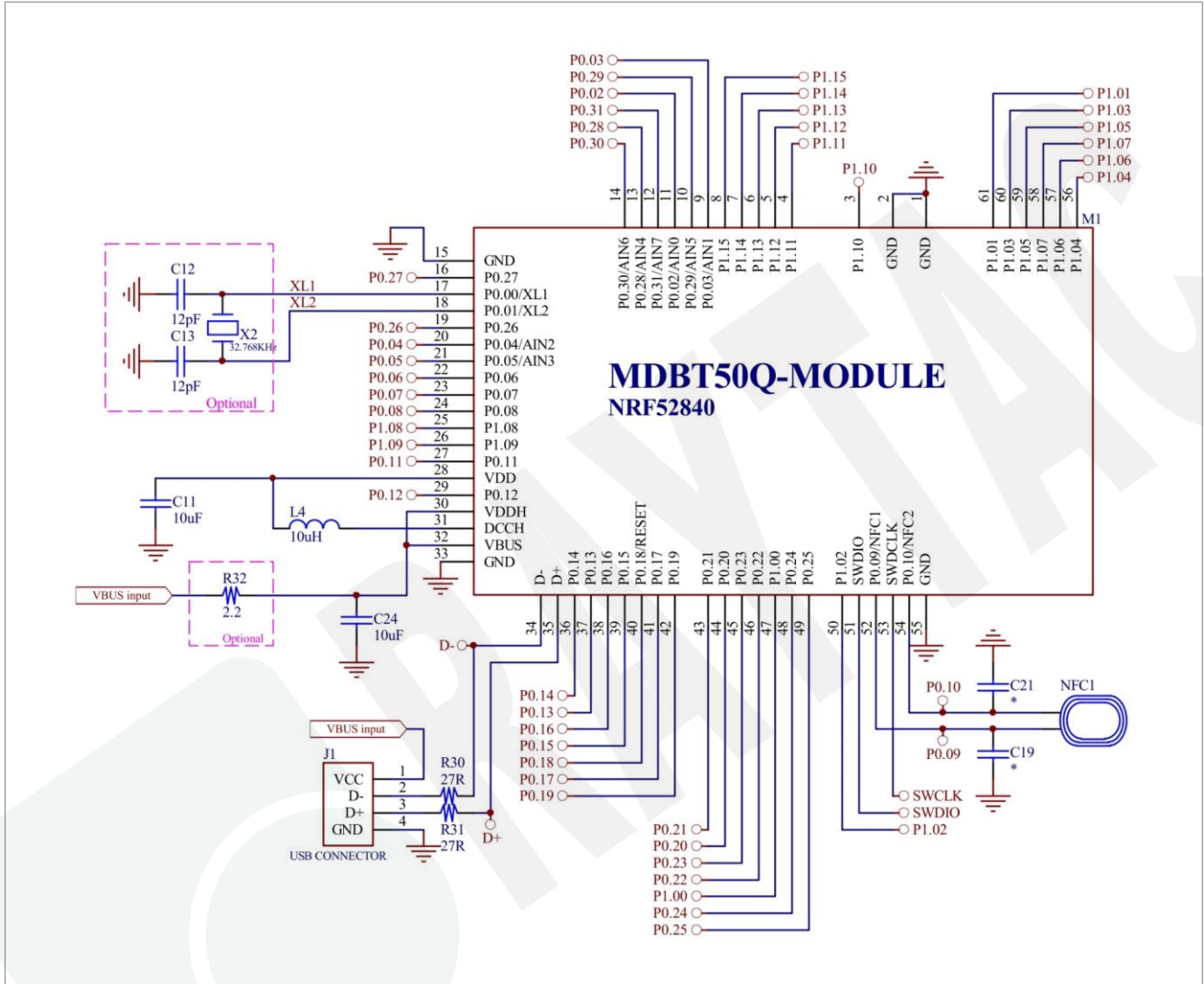


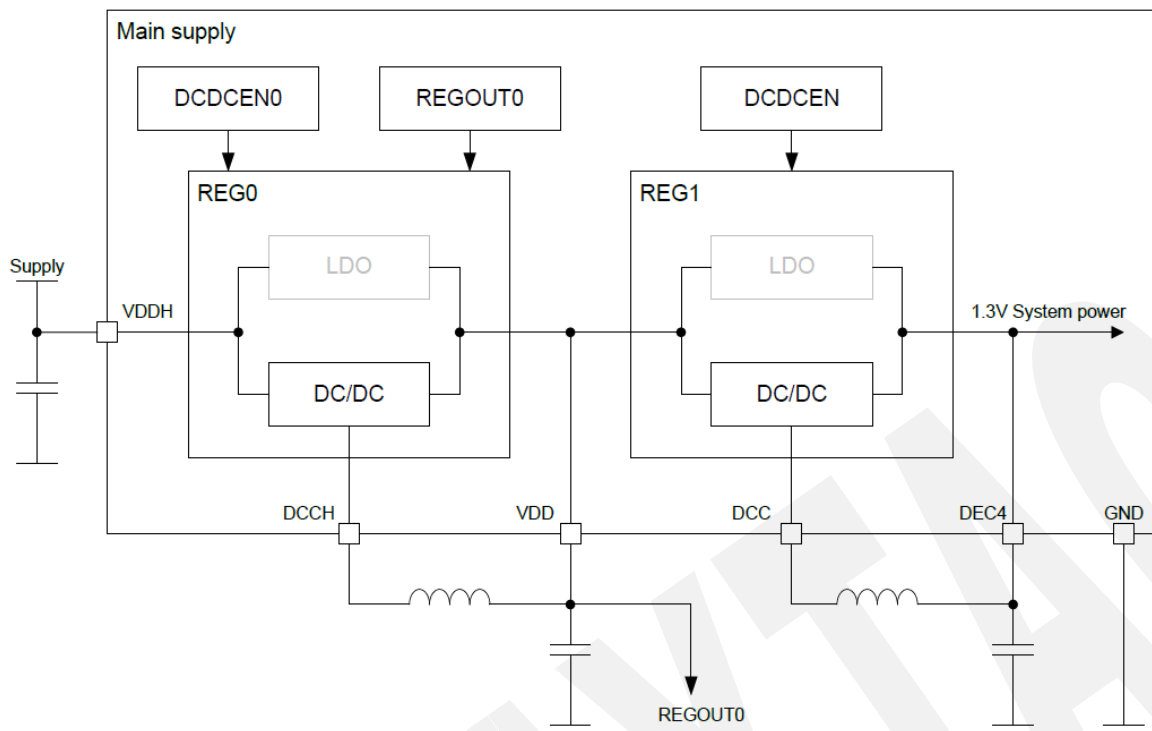


## 8.4. USB Powered

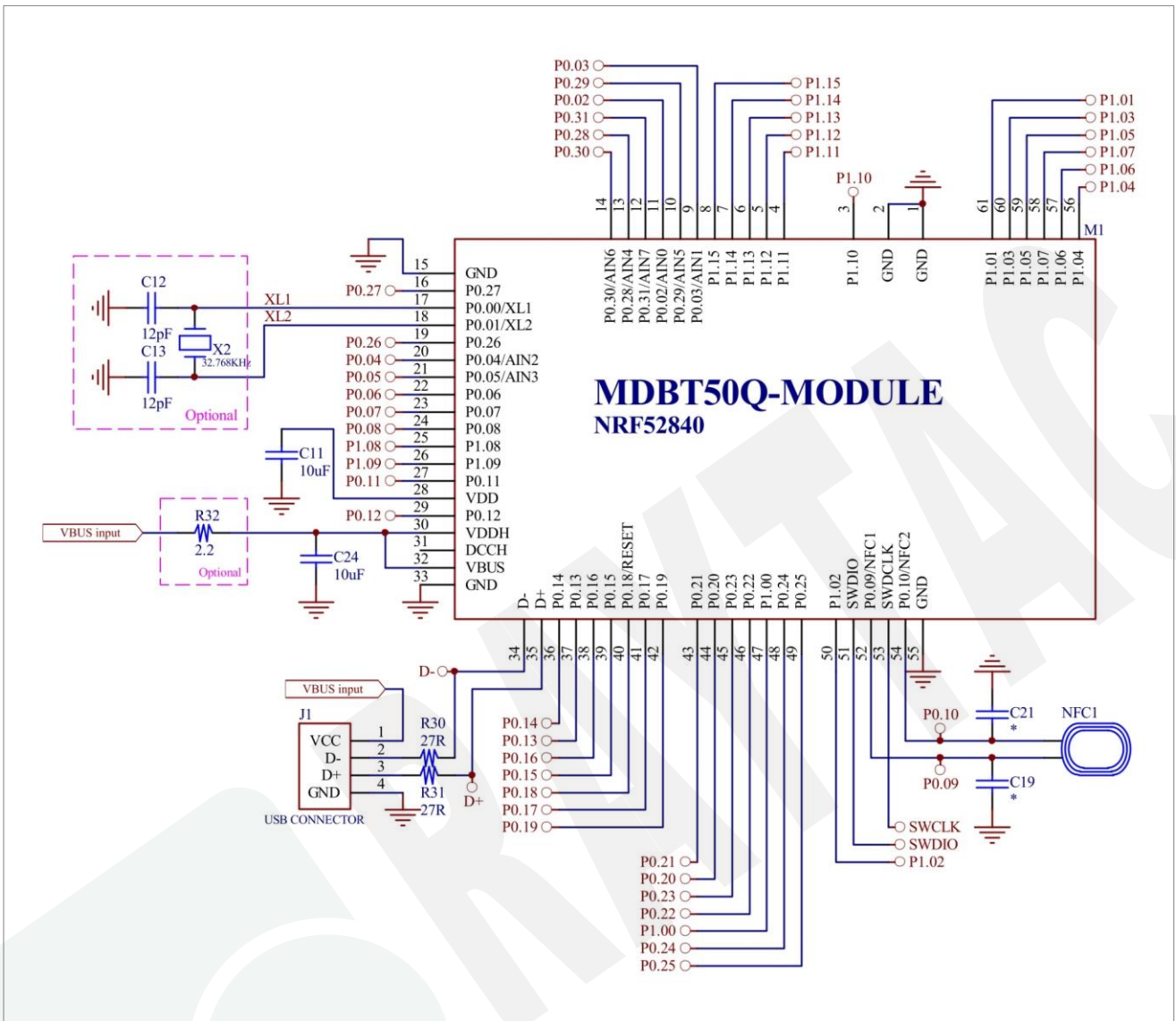
Recommend using when power the device via USB.

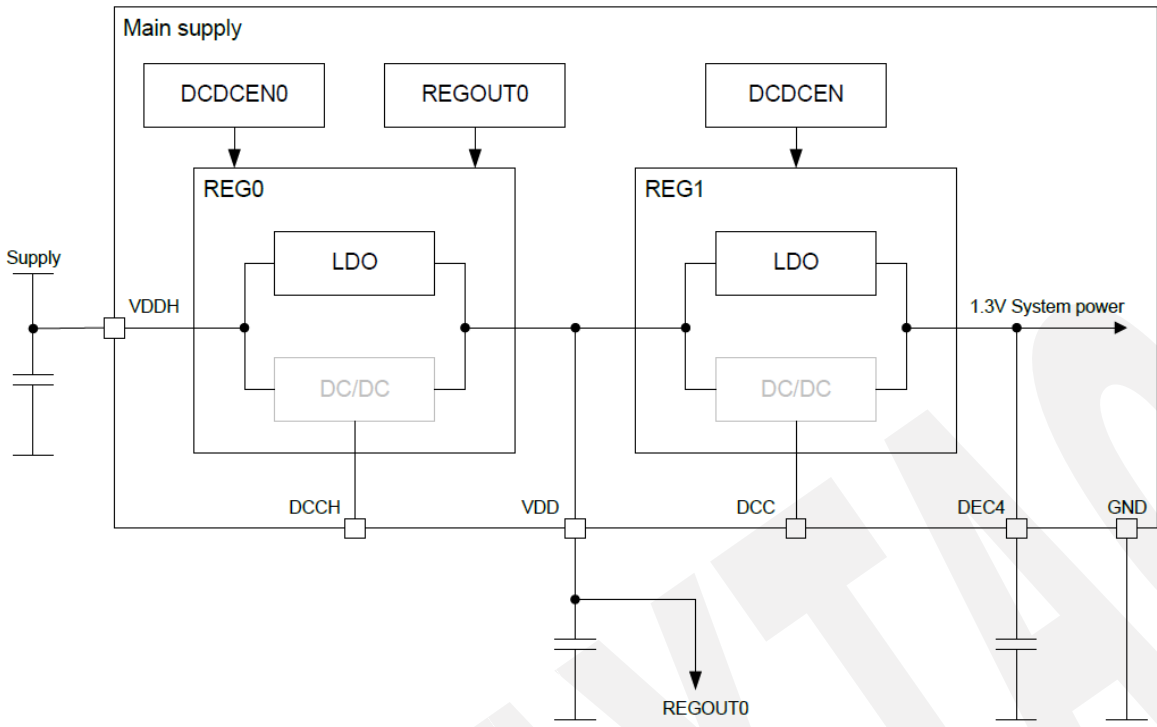
### 8.4.1. Reg0 DC/DC Enabled





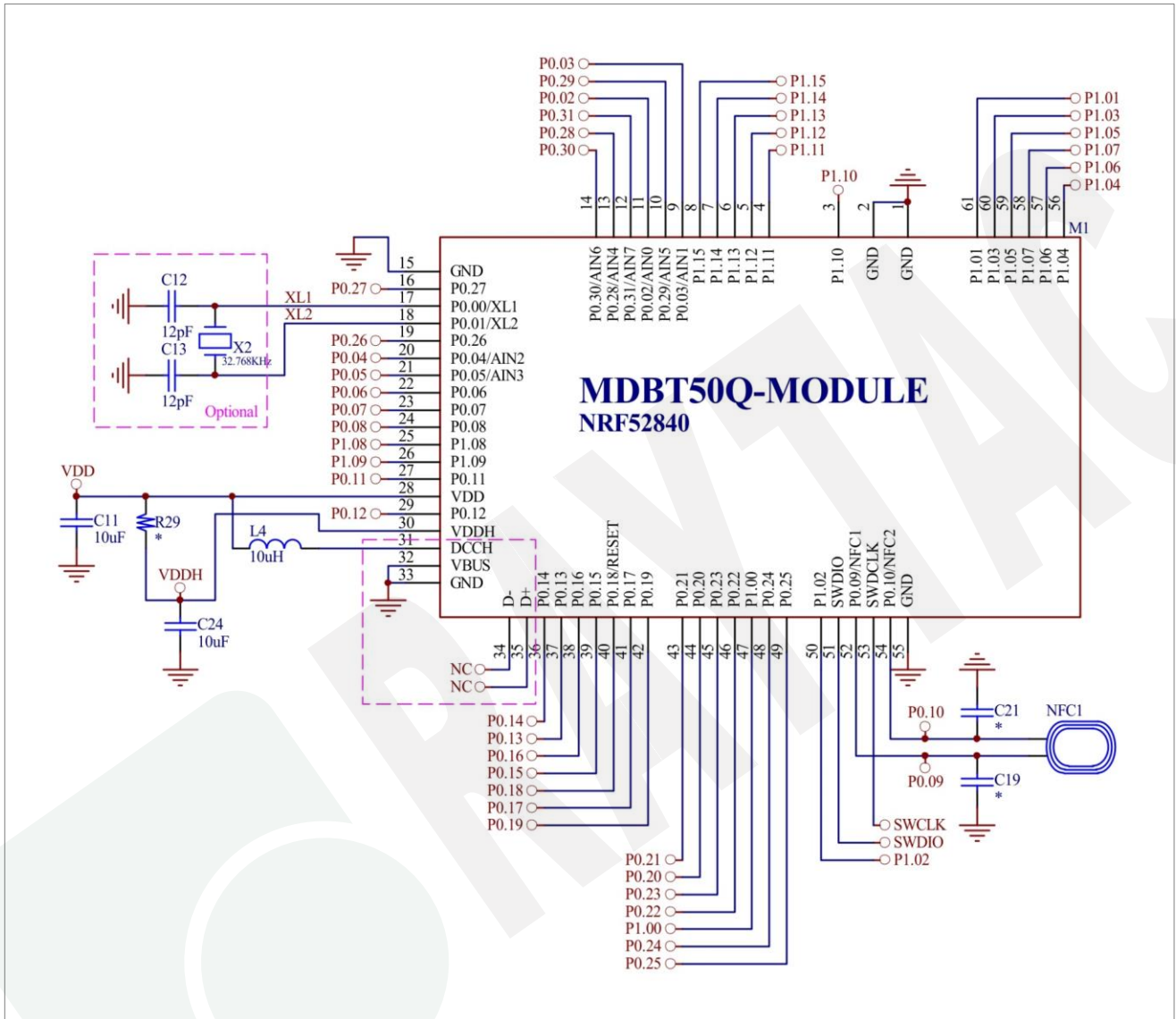
## 8.4.2. Reg0 LDO Mode





## 8.5. USB Disabled

This circuit only focuses on USB disabled. You can use it to go with other 3 reference circuits. **Please leave D+ & D- as NC when USB is disabled.**



# 9. Certification

## 9.1. Declaration ID

### BT 5.1

| Declaration ID | QDID(s)              | Company            | Specification Name |
|----------------|----------------------|--------------------|--------------------|
| D047708        | 139361 - End Product | Raytac Corporation | 5.1                |

### BT 5.2

| Declaration ID | QDID(s)              | Company            | Specification Name |
|----------------|----------------------|--------------------|--------------------|
| D053149        | 159932 - End Product | Raytac Corporation | 5.2                |

| Profile Description             | Service Description             |
|---------------------------------|---------------------------------|
| Alert Notification Profile      | Alert Notification Service      |
| Blood Pressure Profile          | Blood Pressure Service          |
|                                 | Device Information Service      |
| Cycling Speed & Cadence Profile | Cycling Speed & Cadence Service |
|                                 | Device Information Service      |
| Glucose Profile                 | Glucose Service                 |
|                                 | Device Information Service      |
| Health Thermometer Profile      | Health Thermometer Service      |
|                                 | Device Information Service      |
| Heart Rate Profile              | Heart Rate Service              |
|                                 | Device Information Service      |
| HID over GATT Profile           | HID Service                     |
|                                 | Battery Service                 |
| Proximity Profile               | Link Loss Service               |
|                                 | Immediate Alert Service         |
|                                 | TX Power Service                |
| Running Speed & Cadence Profile | Running Speed & Cadence Service |
|                                 | Device Information Service      |
| Time Profile                    | Time Profile Service            |
| Glucose Profile (Central)       |                                 |
| Mesh Profile                    | Mesh Provisioning Service       |
|                                 | Mesh Proxy Service              |



## 9.2. FCC Certificate (USA)

**BLE 1Mbps & 2Mbps, IEEE 802.15.4 approved.**



TCB

**GRANT OF EQUIPMENT  
AUTHORIZATION**

Certification

Issued Under the Authority of the  
Federal Communications Commission

By:

TCB

Telefication B.V.  
Edisonstraat 12a  
Zevenaar, NL-6902 PK  
Netherlands

Date of Grant: 07/26/2018

Application  
Dated: 07/25/2018

**Raytac Corp.**  
5F., No.3, Jiankang Rd., Zhonghe Dist.,  
New Taipei City,, 23586  
Taiwan

Attention: Venson Liao , R&D Manager

**NOT TRANSFERABLE**

EQUIPMENT AUTHORIZATION is hereby issued to the named  
GRANTEE, and is VALID ONLY for the equipment identified hereon for  
use under the Commission's Rules and Regulations listed below.

|                                                                                               |                                                                                                                                                 |
|-----------------------------------------------------------------------------------------------|-------------------------------------------------------------------------------------------------------------------------------------------------|
| <p>FCC IDENTIFIER:<br/>Name of Grantee:<br/>Equipment Class:<br/>Notes:<br/>Modular Type:</p> | <p>SH6MDBT50Q<br/>Raytac Corp.<br/>Digital Transmission System<br/>Bluetooth Low Energy &amp; IEEE 802.15.4 Combo Module<br/>Single Modular</p> |
|-----------------------------------------------------------------------------------------------|-------------------------------------------------------------------------------------------------------------------------------------------------|

| Grant Notes | FCC Rule Parts | Frequency Range (MHZ) | Output Watts | Frequency Emission Tolerance Designator |
|-------------|----------------|-----------------------|--------------|-----------------------------------------|
|             | 15C            | 2402.0 - 2480.0       | 0.0066       |                                         |
|             | 15C            | 2405.0 - 2480.0       | 0.0066       |                                         |

Modular Approval. This is a portable device. Power Output is conducted. This grant is valid only when the module is sold to OEM integrators and must be installed by the OEM or OEM integrators. End-users may not be provided with the module installation instructions. OEM integrators and end-users must be provided with transmitter operating conditions for satisfying RF exposure compliance.





Certificate No.:  
182180940/AA/00

Ramy Nabod  
Product Assessor



## 9.3. TELEC Certificate (Japan)

### BLE 1 Mbps & 2 Mbps

|                                                                                                                                                                 |                                                                                                                                                                                                                                                                              |
|-----------------------------------------------------------------------------------------------------------------------------------------------------------------|------------------------------------------------------------------------------------------------------------------------------------------------------------------------------------------------------------------------------------------------------------------------------|
|                                                                                | <i>Certificate Technical Support Center Co., Ltd.</i><br><i>RAB ID No. 018</i>                                                                                                                                                                                               |
| <b>Construction Type Certification</b>                                                                                                                          |                                                                                                                                                                                                                                                                              |
| Registration No.                                                                                                                                                | CSRT180280-1                                                                                                                                                                                                                                                                 |
| Certificate Holder                                                                                                                                              | Raytac Corporation<br>5F, No.3, Jiankang Rd., Zhonghe Dist., New Taipei City, 235, Taiwan                                                                                                                                                                                    |
| Product Category                                                                                                                                                | Article 2, Paragraph 1, Item 19                                                                                                                                                                                                                                              |
| Model Type or Name                                                                                                                                              | MDBT50Q, MDBT50Q-1M, MDBT50Q-P1M, MDBT50Q-U1M,<br>MDBT50Q-P, MDBT50Q-U                                                                                                                                                                                                       |
| Type of Emission, Frequency and Antenna Power                                                                                                                   | F1D 2402MHz - 2480MHz (2MHz separation, 40 channels)<br>5.9704mW, 5.0816mW                                                                                                                                                                                                   |
| Manufacturer                                                                                                                                                    | Raytac Corporation<br>5F, No.3, Jiankang Rd., Zhonghe Dist., New Taipei City, 235, Taiwan                                                                                                                                                                                    |
| Factory                                                                                                                                                         | Tech-Lin's Electronics Corp.<br>5F/11F, No. 778, Zhongzheng Rd., Zhonghe Dist., New Taipei City 23586,<br>Taiwan R.O.C                                                                                                                                                       |
| Remarks                                                                                                                                                         | The scope of evaluation relates to the submitted documents and product only.<br>It is only valid in conjunction with the Annex.                                                                                                                                              |
| When the product is placed on the Japanese market, the Specified Radio Equipment marking as shown on the right must be attached on visible part of the product. |  <b>R 018-180280</b>                                                                                                                                                                      |
| Witnesses that the certification is on Construction Type Certification under Article 38-24 of the Radio Law.                                                    |                                                                                                                                                                                                                                                                              |
| Date of Certificate<br>2018/7/30                                                                                                                                | <br>Certification Examiner : Takuji Nakano<br><br>C&S Certificate Technical Support Center Co., Ltd. |
| Address: 610- 1 Kishine-cho, Kohoku-ku, Yokohama-City, 222-0034 Japan<br>Tel.: +81 45 594 9185 • Fax: +81 45 594 9183 • E-mail: cert@cns-web.co.jp              |                                                                                                                                                                                                                                                                              |

# IEEE 802.15.4



Certificate Technical Support Center Co.,Ltd:  
RAB ID No. 018

## Construction Type Certification

|                                               |                                                                                                                                 |
|-----------------------------------------------|---------------------------------------------------------------------------------------------------------------------------------|
| Registration No.                              | CSRT180280-1                                                                                                                    |
| Certificate Holder                            | Raytac Corporation<br>5F, No.3, Jiankang Rd., Zhonghe Dist., New Taipei City, 235, Taiwan                                       |
| Product Category                              | Article 2, Paragraph 1, Item 19                                                                                                 |
| Model Type or Name                            | MDBT50Q, MDBT50Q-1M, MDBT50Q-P1M, MDBT50Q-U1M,<br>MDBT50Q-P, MDBT50Q-U                                                          |
| Type of Emission, Frequency and Antenna Power | G1D      2405MHz - 2480MHz (5MHz separation, 16 channels)<br>3.539mW/MHz                                                        |
| Manufacturer                                  | Raytac Corporation<br>5F, No.3, Jiankang Rd., Zhonghe Dist., New Taipei City, 235, Taiwan                                       |
| Factory                                       | Tech-Lin's Electronics Corp.<br>5F/11F, No. 778, Zhongzheng Rd., Zhonghe Dist., New Taipei City 23586,<br>Taiwan R.O.C          |
| Remarks                                       | The scope of evaluation relates to the submitted documents and product only.<br>It is only valid in conjunction with the Annex. |

When the product is placed on the Japanese market, the Specified Radio Equipment marking as shown on the right must be attached on visible part of the product.



**R** 018-180280

Witnesses that the certification is on Construction Type Certification under Article 38-24 of the Radio Law.

Date of Certificate  
2018/7/30

*Takuji Nakano*

Certification Examiner : Takuji Nakano  
C&S Certificate Technical Support Center Co., Ltd.



Address: 610-1 Kishine-cho, Kohoku-ku, Yokohama-City, 222-0034 Japan  
Tel: +81 45 594 9185 • Fax: +81 45 594 9183 • E-mail: cert@cns-web.co.jp

## 9.4. NCC Certificate (Taiwan)

**BLE 1Mbps & 2Mbps, IEEE 802.15.4 approved.**

### MDBT50Q

|                                                                                   |                                                                                                                                                                                                                                                                                                                                                                                                                                                                                                                                                                                                                                                                                                                                                                                                                                    |
|-----------------------------------------------------------------------------------|------------------------------------------------------------------------------------------------------------------------------------------------------------------------------------------------------------------------------------------------------------------------------------------------------------------------------------------------------------------------------------------------------------------------------------------------------------------------------------------------------------------------------------------------------------------------------------------------------------------------------------------------------------------------------------------------------------------------------------------------------------------------------------------------------------------------------------|
|  | <b>台灣檢驗科技股份有限公司</b><br><b>電信管制射頻器材型式認證證明</b>                                                                                                                                                                                                                                                                                                                                                                                                                                                                                                                                                                                                                                                                                                                                                                                       |
| 一、申請者：                                                                            | 勁達國際電子有限公司                                                                                                                                                                                                                                                                                                                                                                                                                                                                                                                                                                                                                                                                                                                                                                                                                         |
| 二、地址：                                                                             | 235 新北市中和區建康路3號5樓                                                                                                                                                                                                                                                                                                                                                                                                                                                                                                                                                                                                                                                                                                                                                                                                                  |
| 三、製造廠商：                                                                           | 勁達國際電子有限公司                                                                                                                                                                                                                                                                                                                                                                                                                                                                                                                                                                                                                                                                                                                                                                                                                         |
| 四、器材名稱：                                                                           | 低功耗藍牙及 IEEE 802.15.4 整合模組                                                                                                                                                                                                                                                                                                                                                                                                                                                                                                                                                                                                                                                                                                                                                                                                          |
| 五、廠牌：                                                                             | Raytac                                                                                                                                                                                                                                                                                                                                                                                                                                                                                                                                                                                                                                                                                                                                                                                                                             |
| 六、型號：                                                                             | MDBT50Q                                                                                                                                                                                                                                                                                                                                                                                                                                                                                                                                                                                                                                                                                                                                                                                                                            |
| 七、發射功率<br>(電場強度)：                                                                 | BT V5.0 single mode LE (GFSK): 8.19dBm (Peak)<br>BT single mode LE (GFSK): 8.03dBm (Peak)<br>Zigbee(O-QPSK): 8.18dBm (Peak)                                                                                                                                                                                                                                                                                                                                                                                                                                                                                                                                                                                                                                                                                                        |
| 八、工作頻率：                                                                           | BT V5.0 single mode LE (GFSK): 2402-2480MHz<br>Zigbee(O-QPSK): 2405-2480MHz                                                                                                                                                                                                                                                                                                                                                                                                                                                                                                                                                                                                                                                                                                                                                        |
| 九、審驗日期：                                                                           | 107年7月30日                                                                                                                                                                                                                                                                                                                                                                                                                                                                                                                                                                                                                                                                                                                                                                                                                          |
| 十、審驗合格標籤式樣：                                                                       |                                                                                                                                                                                                                                                                                                                                                                                                                                                                                                                                                                                                                                                                                                                                                  |
| 十一、警語或標示要求：                                                                       | <ol style="list-style-type: none"><li>應依審驗合格標籤或符合性聲明標籤式樣自製標籤黏貼或印鑄於電信管制射頻器材本體明顯處，並於包裝盒標示本會標章，始得開陳列或販賣。</li><li>電信管制射頻器材應依本會或相關技術規範規定於指定位置標示中文警語。</li><li>經授權使用射頻模組(組件)之審驗合格標籤者，應於最終產品說明書及包裝盒提供充分與正確之資訊。</li><li>於網際網路販賣取得審驗證明之電信管制射頻器材者，應於該網際網路網頁提供審驗合格標籤或符合性聲明標籤資訊。</li><li>使用手冊應標示下列資訊：<br/>(1)經型式認證合格之低功率射頻電機，非經許可，公司、商號或使用者均不得擅自變更頻率、加大功率或變更原設計之特性及功能。低功率射頻電機之使用不得影響飛航安全及干擾合法通信；經發現有干擾現象時，應立即停用，並改善至無干擾時方得繼續使用。前項合法通信，指依電信法規定作業之無線電通信。低功率射頻電機須忍受合法通信或工業、科學及醫療用電波輻射性電機設備之干擾。</li></ol>                                                                                                                                                                                                                                                                                                                                           |
| 十二、特殊記載事項：                                                                        | <ol style="list-style-type: none"><li>經取得審驗證明之電信管制射頻器材，如變更其廠牌、型號、技術規格或射頻性能時，除電信管制射頻器材審驗辦法另有規定外，應重新申請審驗。</li><li>經取得審驗證明之電信管制射頻器材或射頻模組(組件)，於電信管制射頻器材相關技術規範修訂審驗相關章節時，應依下列規定辦理：<br/>(1)修訂後之技術規範明定實施期限者，依實施期限，申請重新審驗。<br/>(2)修訂後之技術規範未明定實施期限者，應於技術規範修訂後二年內，申請重新審驗。經取得審驗證明之電信管制射頻器材，於電信管制射頻器材相關技術規範修訂審驗相關章節時，修訂後之技術規範未明定實施期限者，應於技術規範修訂後二年內，申請重新審驗。未依規定重新審驗者，原驗證機關(構)得廢止其審驗證明。</li><li>取得型式認證證明、符合性聲明證明及簡易符合性聲明證明者，應妥善保管申請審驗器材樣品，測試所需之特殊測試軟體及特殊治具至該器材停止生產或停止輸入後五年。</li><li>取得型式認證證明或符合性聲明證明者授權他人於同廠牌同型號之電信管制射頻器材或射頻模組(組件)使用審驗合格標籤或符合性聲明標籤，應由取得審驗證明者於本會指定位置登錄。</li><li>以取得審驗證明之射頻模組(組件)組裝於最終產品後，取得審驗證明者，應於該最終產品輸入、販賣或公開陳列前，檢具標註最終產品廠牌、型號及外觀照片之電子檔，向原驗證機關(構)登錄；以射頻模組(組件)取得審驗證明者，授權他人使用其審驗合格標籤，該射頻模組(組件)組裝於最終產品後，取得審驗證明者應檢具標註最終產品廠牌、型號及外觀照片之電子檔，向原驗證機關(構)登錄。</li><li>本案審驗模組為完全模組，適用於任何平臺。</li><li>「平臺」指不組裝射頻模組(組件)，仍具備該平臺主要功能之器材。</li></ol> |
| 說明：                                                                               | <ol style="list-style-type: none"><li>本公司/中心係經國家通訊傳播委員會委託之驗證機構(證書號碼：NCC-RCB-13，機構地址：新北市五股區新北產業園區五工路134號，電話：02-2299 3279)，核發本型式認證證明。</li><li>請依上列標籤式樣自製標籤，黏貼或印鑄於器材本體明顯處，始得販賣或公開陳列。</li><li>本設備之製造、輸入、販賣、使用等均需遵守相關電信法規之規定。</li></ol>                                                                                                                                                                                                                                                                                                                                                                                                                                                                                                                                                                                                 |
| 備註：                                                                               | <ol style="list-style-type: none"><li>本器材符合低功率射頻電機技術規範(3.10.1)之規定。</li><li>本公司僅對無線射頻特性技術規範辦理型式認證，其他仍須依本國相關法規辦理。</li><li>本器材使用天線型態：<br/>Clip Antenna，天線廠牌：Raytac，Model No.: MDBT50Q，增益：-0.65dBi。</li><li>本公司係經國家通訊傳播委員會委託之驗證機構，核發本型式認證證明。</li></ol>                                                                                                                                                                                                                                                                                                                                                                                                                                                                                                                                                                                 |

## MDBT50Q-P

**SGS**

台灣檢驗科技股份有限公司  
電信管制射頻器材型式認證證明

- 一、申請者：勁達國際電子有限公司
- 二、地址：臺北市大安區和平東路1段145號5樓之1
- 三、製造廠商：勁達國際電子有限公司
- 四、器材名稱：低功耗藍牙及 IEEE 802.15.4 整合模組
- 五、廠牌：Raytac
- 六、型號：MDBT50Q-P
- 七、發射功率(電場強度)：詳細射頻規格如備註欄
- 八、工作頻率：詳細射頻規格如備註欄
- 九、審驗日期：108年10月24日

- 十、審驗合格標籤式樣：



- 十一、警語或標示要求：(器材本體、使用手冊、外包裝盒等應遵守下列標示要求)
1. 應依審驗合格標籤或符合性聲明標籤式樣自製標籤黏貼或印鑄於電信管制射頻器材本體明顯處，並於包裝盒標示本會標章，始得開陳列或販賣。
  2. 電信管制射頻器材應依本會或相關技術規範規定於指定位置標示中文警語。
  3. 經授權使用射頻模組(組件)之審驗合格標籤者，應於最終產品說明書及包裝盒提供充分與正確之資訊。
  4. 於網際網路販賣取得審驗證明之電信管制射頻器材者，應於該網際網路網頁提供審驗合格標籤或符合性聲明標籤資訊。
  5. 使用手冊應標示下列資訊：  
(1)經型式認證合格之低功率射頻電機，非經許可，公司、商號或使用者均不得擅自變更頻率、加大功率或變更原設計之特性及功能。低功率射頻電機之使用不得影響飛航安全及干擾合法通信；經發現有干擾現象時，應立即停用，並改善至無干擾時方得繼續使用。前項合法通信，指依電信法規定作業之無線電通信。低功率射頻電機須忍受合法通信或工業、科學及醫療用電波輻射性電機設備之干擾。
  6. 本器材之審驗範圍僅限無線射頻硬體功能，不及於器材之資通安全檢測。

## 9.5. CE (EU) & RCM (Australia & New Zealand) Test Report

### BLE 1 Mbps & 2 Mbps

|                                                                                                                                                                                                                                                                                                                                                                                                                                                                                                                                                                                         |                                                                                                                                                                            |
|-----------------------------------------------------------------------------------------------------------------------------------------------------------------------------------------------------------------------------------------------------------------------------------------------------------------------------------------------------------------------------------------------------------------------------------------------------------------------------------------------------------------------------------------------------------------------------------------|----------------------------------------------------------------------------------------------------------------------------------------------------------------------------|
|                                                                                                                                                                                                                                                                                                                                                                                                                                                                                                        | Report No.: E2/2018/50088-02<br>Page: 1 of 73                                                                                                                              |
| <b>RED (2014/53/EU) ETSI EN 300 328 v2.2.2 : 2019<br/>&amp;<br/>Australian/New Zealand Standard AS/NZS 4268:2017<br/>TEST REPORT</b>                                                                                                                                                                                                                                                                                                                                                                                                                                                    |                                                                                                                                                                            |
| <b>FOR</b>                                                                                                                                                                                                                                                                                                                                                                                                                                                                                                                                                                              |                                                                                                                                                                            |
| <b>Applicant:</b>                                                                                                                                                                                                                                                                                                                                                                                                                                                                                                                                                                       | Raytac Corporation<br>5F, No.3, Jiankang Rd., Zhonghe Dist., New Taipei City, 235,<br>Taiwan                                                                               |
| <b>Product Name:</b>                                                                                                                                                                                                                                                                                                                                                                                                                                                                                                                                                                    | Bluetooth Low Energy & IEEE 802.15.4 Combo Module                                                                                                                          |
| <b>Brand Name:</b>                                                                                                                                                                                                                                                                                                                                                                                                                                                                                                                                                                      | Raytac                                                                                                                                                                     |
| <b>Model No.:</b>                                                                                                                                                                                                                                                                                                                                                                                                                                                                                                                                                                       | MDBT50Q, MDBT50Q-P, MDBT50Q-U                                                                                                                                              |
| <b>Model Difference:</b>                                                                                                                                                                                                                                                                                                                                                                                                                                                                                                                                                                | Different Antenna Type                                                                                                                                                     |
| <b>Report Number:</b>                                                                                                                                                                                                                                                                                                                                                                                                                                                                                                                                                                   | E2/2018/50088-02                                                                                                                                                           |
| <b>Issue Date:</b>                                                                                                                                                                                                                                                                                                                                                                                                                                                                                                                                                                      | Jun. 15, 2020                                                                                                                                                              |
| <b>Date of Test:</b>                                                                                                                                                                                                                                                                                                                                                                                                                                                                                                                                                                    | May 31, 2018 ~ Jun. 28, 2018 (Original test),<br>Jun. 05, 2020 (Update receiver blocking)                                                                                  |
| <b>Date of EUT Received:</b>                                                                                                                                                                                                                                                                                                                                                                                                                                                                                                                                                            | May 31, 2018 (Original test),<br>Apr. 16, 2020 (Update receiver blocking)                                                                                                  |
| <b>We hereby certify that:</b><br>The above equipment was tested by SGS Taiwan Ltd., Central RF Lab for compliance with the requirements set forth in the European Standard ETSI EN 300 328 v2.2.2: 2019 under RED 2014/53/EU and Australian/New Zealand Standard AS/NZS 4268:2017, Row 59. Test report to determine compliance with AS/NZS 4268 requirements. The results of testing in this report apply to the product system that was tested only. Other similar equipment will not necessarily produce the same results due to production tolerance and measurement uncertainties. |                                                                                                                                                                            |
| <b>Approved By:</b>                                                                                                                                                                                                                                                                                                                                                                                                                                                                                                                                                                     | <br><u>Jay Lin / Asst. Supervisor</u>                                                   |
|                                                                                                                                                                                                                                                                                                                                                                                                                                                                                                                                                                                         |   |



**RED (2014/53/EU) ETSI EN 300 328 v2.2.2 : 2019  
&  
Australian/New Zealand Standard AS/NZS 4268:2017  
TEST REPORT**

FOR

**Applicant:** Raytac Corporation  
5F, No.3, Jiankang Rd., Zhonghe Dist., New Taipei City, 235,  
Taiwan

**Product Name:** Bluetooth Low Energy & IEEE 802.15.4 Combo Module

**Brand Name:** Raytac

**Model No.:** MDBT50Q, MDBT50Q-P, MDBT50Q-U

**Model Difference:** Different Antenna Type

**Report Number:** E2/2018/50089-02

**Issue Date:** Jun. 11, 2020

**Date of Test:** May 31, 2018 ~ Jul. 23, 2018 (Original test),  
Jun. 08, 2020 (Update receiver blocking)

**Date of EUT Received:** May 31, 2018 (Original test),  
Apr. 16, 2020 (Update receiver blocking)

We hereby certify that:

The above equipment was tested by SGS Taiwan Ltd., Central RF Lab for compliance with the requirements set forth in the European Standard ETSI EN 300 328 v2.2.2: 2019 under RED 2014/53/EU and Australian/New Zealand Standard AS/NZS 4268:2017. Test report to determine compliance with AS/NZS 4268 requirements. The results of testing in this report apply to the product system that was tested only. Other similar equipment will not necessarily produce the same results due to production tolerance and measurement uncertainties.

Approved By:

*Jay Lin*

Jay Lin / Asst. Supervisor



## VERIFICATION OF EMC COMPLIANCE

|                          |                                                                                                                                                                               |
|--------------------------|-------------------------------------------------------------------------------------------------------------------------------------------------------------------------------|
| Verification No.         | : MH/2018/60113C-01                                                                                                                                                           |
| Representative Model No. | : MDBT50Q                                                                                                                                                                     |
| Added Model(s)           | : MDBT50Q-P, MDBT50Q-U                                                                                                                                                        |
| Product Name             | : Bluetooth Low Energy & IEEE 802.15.4 Combo Module                                                                                                                           |
| Brand Name               | : Raytac                                                                                                                                                                      |
| Applicant                | : Raytac Corporation                                                                                                                                                          |
| Address of Applicant     | : 5F, No.3, Jiankang Rd., Zhonghe Dist., New Taipei City, 235, Taiwan                                                                                                         |
| Test Report Number       | : MH/2018/60113-01                                                                                                                                                            |
| Date of Issue            | : Oct. 02, 2019                                                                                                                                                               |
| Applicable Standards     | : EN 301 489 –1 v2.2.0 : 2017-03 (Draft)<br>EN 301 489 –17 v3.2.0 : 2017-03 (Draft)<br>EN 55032 : 2015+AC:2016-07<br>EN 61000-4-2 : 2009, EN 61000-4-3 : 2006+A1:2008+A2:2010 |

### Conclusion

Please be noted that the VERIFICATION MH/2018/60113C-01 will replace the previous MH/2018/60113C as the new version. Also be pay attention that MH/2018/60113C is ineffective anymore from now on.

The apparatus meets the requirements of the above standards and hence compliance the essential requirements under article 3.1b of the RED (2014/53/EU) Directive.

\*This verification is only valid for the equipment and configuration described, and in conjunction with the test report as detailed above.

Authorized Signatory:






SGS TAIWAN LTD.  
Eddy Cheng  
Technical Asst. Supervisor



## 9.6. IC Certificate (Canada)

**BLE 1Mbps & 2Mbps, IEEE 802.15.4 approved.**

|                                                                                                                                                                                                                                                                                                                                                                                                                                                                                                                                                                                                                                                                                                                                           |                                                                                       |                                                                                                                                                                                                                                                                                                                                                                                                                                                                                                                                                                                                                                                                                                                                                                           |                  |        |
|-------------------------------------------------------------------------------------------------------------------------------------------------------------------------------------------------------------------------------------------------------------------------------------------------------------------------------------------------------------------------------------------------------------------------------------------------------------------------------------------------------------------------------------------------------------------------------------------------------------------------------------------------------------------------------------------------------------------------------------------|---------------------------------------------------------------------------------------|---------------------------------------------------------------------------------------------------------------------------------------------------------------------------------------------------------------------------------------------------------------------------------------------------------------------------------------------------------------------------------------------------------------------------------------------------------------------------------------------------------------------------------------------------------------------------------------------------------------------------------------------------------------------------------------------------------------------------------------------------------------------------|------------------|--------|
| <p>telefication bv<br/>The Netherlands<br/>Chamber of Commerce<br/>51565536<br/>www.telefication.com</p>                                                                                                                                                                                                                                                                                                                                                                                                                                                                                                                                                                                                                                  |                                                                                       |                                                                                                                                                                                                                                                                                                                                                                                                                                                                                                                                                                                                                                                                                         |                  |        |
| <p><b>TECHNICAL ACCEPTANCE<br/>CERTIFICATE</b></p>                                                                                                                                                                                                                                                                                                                                                                                                                                                                                                                                                                                                                                                                                        |                                                                                       | <p><b>CERTIFICAT D'ACCEPTABILITÉ<br/>TECHNIQUE</b></p>                                                                                                                                                                                                                                                                                                                                                                                                                                                                                                                                                                                                                                                                                                                    |                  |        |
| CERTIFICATION No.<br>No. DE CERTIFICATION                                                                                                                                                                                                                                                                                                                                                                                                                                                                                                                                                                                                                                                                                                 | 8017A-MDBT50Q                                                                         |                                                                                                                                                                                                                                                                                                                                                                                                                                                                                                                                                                                                                                                                                                                                                                           |                  |        |
| TELEFICATION No.<br>No. DE TELEFICATION                                                                                                                                                                                                                                                                                                                                                                                                                                                                                                                                                                                                                                                                                                   | 192170353/AA/00                                                                       |                                                                                                                                                                                                                                                                                                                                                                                                                                                                                                                                                                                                                                                                                                                                                                           |                  |        |
| TEST SITE No.<br>No. DE LABORATOIRE                                                                                                                                                                                                                                                                                                                                                                                                                                                                                                                                                                                                                                                                                                       | 4620A                                                                                 |                                                                                                                                                                                                                                                                                                                                                                                                                                                                                                                                                                                                                                                                                                                                                                           |                  |        |
| ISSUED TO<br>DELIVRÉ A                                                                                                                                                                                                                                                                                                                                                                                                                                                                                                                                                                                                                                                                                                                    | Raytac Corporation                                                                    |                                                                                                                                                                                                                                                                                                                                                                                                                                                                                                                                                                                                                                                                                                                                                                           |                  |        |
| TYPE OF EQUIPMENT<br>GENRE DE MATERIEL                                                                                                                                                                                                                                                                                                                                                                                                                                                                                                                                                                                                                                                                                                    | Bluetooth device<br>Spread Spectrum/Digital Device (2400-2483.5 MHz)                  |                                                                                                                                                                                                                                                                                                                                                                                                                                                                                                                                                                                                                                                                                                                                                                           |                  |        |
| TRADE NAME AND MODEL<br>MARQUE ET MODELE                                                                                                                                                                                                                                                                                                                                                                                                                                                                                                                                                                                                                                                                                                  | Raytac / MDBT50Q<br>Raytac / MDBT50Q-1M<br>Raytac / MDBT50Q-P1M<br>Raytac / MDBT50Q-P |                                                                                                                                                                                                                                                                                                                                                                                                                                                                                                                                                                                                                                                                                                                                                                           |                  |        |
| CERTIFIED TO<br>CERTIFIÉ SELON LE                                                                                                                                                                                                                                                                                                                                                                                                                                                                                                                                                                                                                                                                                                         | SPECIFICATION<br>CAHIER DES CHARGES                                                   | RSS-102<br>RSS-247                                                                                                                                                                                                                                                                                                                                                                                                                                                                                                                                                                                                                                                                                                                                                        | ISSUE<br>EDITION | 5<br>2 |
| <p>Certification of equipment means only that the equipment has met the requirements of the above-noted specification. Licence applications, where applicable to use certified equipment, are acted on accordingly by the ISDE issuing office and will depend on the existing radio environment, service and location of operation. This certificate is issued on condition that the holder complies and will continue to comply with the requirements and procedures issued by ISDE. The equipment for which this certificate is issued shall not be manufactured, imported, distributed, leased, offered for sale or sold unless the equipment complies with the applicable technical specifications and procedures issued by ISDE.</p> |                                                                                       | <p>La certification du matériel signifie seulement que le matériel a satisfait aux exigences de la norme indiquée ci-dessus. Les demandes de licences nécessaires pour l'utilisation du matériel certifié sont traitées en conséquence par le bureau de délivrance d'ISDE et dépendent des conditions radio ambiantes, du service et de l'emplacement d'exploitation. Le présent certificat est délivré à la condition que le titulaire satisfasse et continue de satisfaire aux exigences et aux procédures d'ISDE. Le matériel à l'égard duquel le présent certificat est délivré ne doit pas être fabriqué, importé, distribué, loué, mis en vente ou vendu à moins d'être conforme aux procédures et aux spécifications techniques applicables publiées par ISDE.</p> |                  |        |
| <p>ISSUED BY TELEFICATION BV (NL0001), RECOGNIZED CERTIFICATION BODY BY INNOVATION, SCIENCE AND ECONOMIC DEVELOPMENT CANADA<br/>DELIVRÉ PAR TELEFICATION BV (NL0001), ORGANISME DE CERTIFICATION RECONNU PAR INNOVATION, SCIENCES ET DEVELOPPEMENT ECONOMIQUE CANADA</p>                                                                                                                                                                                                                                                                                                                                                                                                                                                                  |                                                                                       |                                                                                                                                                                                                                                                                                                                                                                                                                                                                                                                                                                                                                                                                                                                                                                           |                  |        |
| <p>I hereby attest that the subject equipment was tested and found in compliance with the above-noted specification.<br/>J'atteste, par la présente, que le matériel a fait l'objet d'essai et a été jugé conforme à la spécification ci-dessus</p>                                                                                                                                                                                                                                                                                                                                                                                                                                                                                       |                                                                                       |                                                                                                                                                                                                                                                                                                                                                                                                                                                                                                                                                                                                                                                                                                                                                                           |                  |        |
| DATE 25 Oct 2019 BY                                                                                                                                                                                                                                                                                                                                                                                                                                                                                                                                                                                                                                                                                                                       | Gürhan Vural<br>Product Assessor                                                      |                                                                                                                                                                                                                                                                                                                                                                                                                                                                                                                                                                                                                                                                                        |                  |        |
| This certificate has one annex.                                                                                                                                                                                                                                                                                                                                                                                                                                                                                                                                                                                                                                                                                                           |                                                                                       |                                                                                                                                                                                                                                                                                                                                                                                                                                                                                                                                                                                                                                                                                      |                  |        |

## 9.7. SRRC Certificate (China)

**BLE 1Mbps & 2Mbps, IEEE 802.15.4 approved.**



## 9.8. KC Certificate (South Korea)

**BLE 1Mbps & 2Mbps, IEEE 802.15.4 approved.**



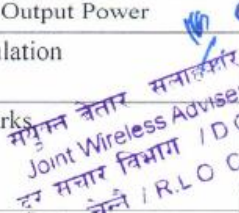
2CC6-E6D4-B6AA-9E64

| <b>방송통신기자재등의 적합인증서</b><br><i>Certificate of Broadcasting and Communication Equipments</i>                                                                                                                                                                                                                                                                                                                                                                                                                                                                                                                                                                                                                  |                              |
|------------------------------------------------------------------------------------------------------------------------------------------------------------------------------------------------------------------------------------------------------------------------------------------------------------------------------------------------------------------------------------------------------------------------------------------------------------------------------------------------------------------------------------------------------------------------------------------------------------------------------------------------------------------------------------------------------------|------------------------------|
| 상호 또는 성명<br><i>Trade Name or Applicant</i>                                                                                                                                                                                                                                                                                                                                                                                                                                                                                                                                                                                                                                                                 | Raytac Corporation           |
| 기자재명칭(명칭)<br><i>Equipment Name</i>                                                                                                                                                                                                                                                                                                                                                                                                                                                                                                                                                                                                                                                                         | 특정소출력 무선기기(무선데이터통신시스템용 무선기기) |
| 기본모델명<br><i>Basic Model Number</i>                                                                                                                                                                                                                                                                                                                                                                                                                                                                                                                                                                                                                                                                         | MDBT50Q-U                    |
| 파생모델명<br><i>Series Model Number</i>                                                                                                                                                                                                                                                                                                                                                                                                                                                                                                                                                                                                                                                                        | MDBT50Q, MDBT50Q-P           |
| 인증번호<br><i>Certification No.</i>                                                                                                                                                                                                                                                                                                                                                                                                                                                                                                                                                                                                                                                                           | R-C-ryt-MDBT50Q              |
| 제조사/제조국가<br><i>Manufacturer/<br/>Country of Origin</i>                                                                                                                                                                                                                                                                                                                                                                                                                                                                                                                                                                                                                                                     | Raytac Corporation / 대만      |
| 인증연월일<br><i>Date of Certification</i>                                                                                                                                                                                                                                                                                                                                                                                                                                                                                                                                                                                                                                                                      | 2018-08-17                   |
| 기타<br><i>Others</i>                                                                                                                                                                                                                                                                                                                                                                                                                                                                                                                                                                                                                                                                                        |                              |
| <p>위 기자재는 「전파법」 제58조의2 제2항에 따라 인증되었음을 증명합니다.<br/>                     It is verified that foregoing equipment has been certificated under the Clause 2, Article 58-2 of Radio Waves Act.</p> <p style="text-align: right;">2018년(Year) 08월(Month) 17일(Day)</p> <p style="text-align: center;">국립전파연구원장 </p> <p style="text-align: center;"><i>Director General of National Radio Research Agency</i></p> <p style="text-align: center; font-size: small;">                         ※ 인증 받은 방송통신기자재는 반드시 "적합성평가표시" 를 부착하여 유통하여야 합니다.<br/>                         위반시 과태료 처분 및 인증이 취소될 수 있습니다.                     </p> |                              |

## 9.9. WPC (ETA) Certificate (India)

**BLE 1Mbps & 2Mbps, IEEE 802.15.4 approved.**

**MDBT50Q**

|                                                                                                                                                                                                                                                                              |                                                                                                                                                                                                                                                               |                                                                                     |
|------------------------------------------------------------------------------------------------------------------------------------------------------------------------------------------------------------------------------------------------------------------------------|---------------------------------------------------------------------------------------------------------------------------------------------------------------------------------------------------------------------------------------------------------------|-------------------------------------------------------------------------------------|
| <br>Government of India<br>Ministry of Communications & IT<br>Department of Telecommunications, Wireless Planning and Coordination Wing<br>RLO SR, IMS CAMPUS, PERUNGUDI, CHENNAI - 600 096 |                                                                                                                                                                                                                                                               |  |
| FileNo. J-22022/01/2017-RLO(SR) <b>6476</b>                                                                                                                                                                                                                                  |                                                                                                                                                                                                                                                               | Date 22-10-2018                                                                     |
| ETA Certificate No: ETA - 1323/2017-RLO(SR) On-Line ID 2018118031                                                                                                                                                                                                            |                                                                                                                                                                                                                                                               |                                                                                     |
| Equipment Type Approval is hereby granted for under mentioned equipment for operation with following parameters/conditions:                                                                                                                                                  |                                                                                                                                                                                                                                                               |                                                                                     |
| <b>I. Details of Applicant and parameters of Equipment:</b>                                                                                                                                                                                                                  |                                                                                                                                                                                                                                                               |                                                                                     |
| 1. Name and address of the Applicant                                                                                                                                                                                                                                         | Atoll Solutions Private Limited<br>#229, 2nd Floor, 2A Main, 5th Cross New Thippasandra, Bangalore-560075                                                                                                                                                     |                                                                                     |
| 2. Equipment                                                                                                                                                                                                                                                                 | Bluetooth Low Energy & IEEE 802.15.4 Combo Module                                                                                                                                                                                                             |                                                                                     |
| 3. Model No.                                                                                                                                                                                                                                                                 | MDBT50Q-1M                                                                                                                                                                                                                                                    |                                                                                     |
| 4. Manufactured by                                                                                                                                                                                                                                                           | Raytac Corporation<br>5F No.3 Jiankang Rd. Zhonghe Dist., New Taipei City, 235, Taiwan.                                                                                                                                                                       |                                                                                     |
| 5. Frequency Range (MHz)                                                                                                                                                                                                                                                     | 2402 - 2480 MHz                                                                                                                                                                                                                                               |                                                                                     |
| 6. Max. Output Power                                                                                                                                                                                                                                                         | 8.19 dBm                                                                                                                                                                                                                                                      |                                                                                     |
| 7. Modulation                                                                                                                                                                                                                                                                | O-QPSK, GFSK.                                                                                                                                                                                                                                                 |                                                                                     |
| 8. Remarks                                                                                                                                                                                                                                                                   |  This ETA is for RF Module available in the above equipment operating in above frequency band. This is not Import license, separate import license is required for Import. |                                                                                     |

# MDBT50Q-P



Government of India

Ministry of Communications & IT

Department of Telecommunications, Wireless Planning and Coordination Wing  
RLO SR, IMS CAMPUS, PERUNGUDI, CHENNAI - 600 096



FileNo. J-22022/01/2017-RLO(SR)/6478

Date 22-10-2018

ETA Certificate No: ETA - 1325/2017-RLO(SR) On-Line ID 2018118033

Equipment Type Approval is hereby granted for under mentioned equipment for operation with following parameters/conditions:

## I. Details of Applicant and parameters of Equipment:

|                                      |                                                                                                                                                                           |
|--------------------------------------|---------------------------------------------------------------------------------------------------------------------------------------------------------------------------|
| 1. Name and address of the Applicant | Atoll Solutions Private Limited<br>#229, 2nd Floor, 2A Main, 5th Cross New Thippasandra, Bangalore-560075                                                                 |
| 2. Equipment                         | Bluetooth Low Energy & IEEE 802.15.4 Combo Module                                                                                                                         |
| 3. Model No.                         | MDBT50Q-P1M                                                                                                                                                               |
| 4. Manufactured by                   | Raytac Corporation<br>5F No.3 Jiankang Rd. Zhonghe Dist., New Taipei City, 235, Taiwan.                                                                                   |
| 5. Frequency Range (MHz)             | 2402 - 2480 MHz                                                                                                                                                           |
| 6. Max. Output Power                 | 8.19 dBm                                                                                                                                                                  |
| 7. Modulation                        | O-QPSK, GFSK.                                                                                                                                                             |
| 8. Remarks                           | This ETA is for RF Module available in the above equipment operating in above frequency band. This is not Import license, separate import license is required for Import. |

## 9.10. RoHS & REACH Report

Please visit "[Support](#)" page of our website to download.

## 9.11. End-Product Label

It is suggested using following content adding to package or user manual or label to obey the regulation. Any rules of end-product label shall refer to each certification for final reference.

### 9.11.1. FCC (USA)

The FCC statement should be included in the user manual when there is no enough space on label. Otherwise, it should be included on the label.

"This device complies with part 15 of the FCC rules. Operation is subject to the following two conditions. (1) This device may not cause harmful interference. (2) This device must accept any interference received, including interference that may cause undesired operation."

The final end product must be labeled in a visible area with the following: "Contain FCC ID: SH6MDBT50Q".


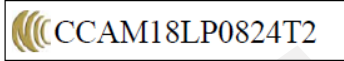
### 9.11.2. TELEC (Japan)

When manufacturer is placing the product on the Japanese market, the product must be affixed with the following Specified Radio Equipment marking:



### 9.11.3. NCC (Taiwan)

請依下列標籤式樣自製標籤，標貼或印鑄於器材本體明顯處，始得販賣或公開陳列。

| Series           | 標籤樣式                                                                               |
|------------------|------------------------------------------------------------------------------------|
| MDBT50Q Series   |  |
| MDBT50Q-P Series |  |

以 MDBT50Q 為例，平台廠商必須於平台上標示字樣「本產品內含射頻模組：ID 編號 CCAM18LP0820T7」。

「平台」定義如下：若器材組裝本案模組，消費者仍能正常使用該器材主要功能，該器材得視為平台。若器材不組裝本案模組，消費者不能正常使用該器材主要功能，該器材不能視為平台。該類不同廠牌型號器材組裝本案審驗模組後，須分別申請型式認證。

### 9.11.4. IC (Canada)

The IC statement should be included in the user manual when there is no enough space on label. Otherwise, it should be included on the label.

“This device complies with Industry Canada license-exempt RSS Standard(s). Operation is subject to the following two conditions. (1) This device may not cause harmful interference. (2) This device must accept any interference received, including interference that may cause undesired operation.

Le présent appareil est conforme aux CNR d'Industrie Canada applicables aux appareils radio exempts de licence. L'exploitation est autorisée aux deux conditions suivantes: (1) l'appareil ne doit pas produire de brouillage, et (2) l'utilisateur de l'appareil doit accepter tout brouillage radioélectrique subi, même si le brouillage est susceptible d'en compromettre le fonctionnement.”

The final end product must be labeled in a visible area with the following: “Contain IC ID: 8017A-MDBT50Q”.

## 10. Notes and Cautions

Module is not designed to last for a lifetime. Like general products, it is expected to be worn out after continuous usage through the years. To assure that product will perform better and last longer, please make sure you:

- Follow the guidelines of this document while designing circuit/end-product. Any discrepancy of core Bluetooth technology and technical specification of IC should refer to definition of Bluetooth Organization and Nordic Semiconductor as final reference.
- Do not supply voltage that is not within range of specification.
- Eliminate static electricity at any cost when working with the module as it may cause damage. It is highly recommended adding anti-ESD components to circuit design to prevent damage from real-life ESD events. Anti-ESD methods can be also applied in mechanical design.
- Do not expose modules under direct sunlight for long duration. Modules should be kept away from humid and salty air conditions, and any corrosive gasses or substances. Store it within  $-40^{\circ}\text{C}$  to  $+125^{\circ}\text{C}$  before and after installation.
- Avoid any physical shock, intense stress to the module or its surface.
- Do not wash the module. No-Clean Paste is used in production. Washing it will oxidize the metal shield and have chemistry reaction with No-Clean Paste. Functions of the module are not guaranteed if it has been washed.

The module is not suitable for life support device or system and not allowed to be used in destructive device or systems in any direct or indirect ways. The customer agrees to indemnify Raytac for any losses when applying modules in applications such as the ones described above.



# 11. Basic Facts for nRF52 Family

Below chart shows basic spec for Nordic nRF52 family, which is helpful to understand the differences between each SoC. Any discrepancy shall refer to Nordic's technical document as final reference.

See [Full List of Raytac's BLE Modules](#) for complete model no. of each item.

| Nordic Solution                  | nRF52840   | nRF52833                | nRF52820    | nRF52832                              | nRF52810   | nRF52811   | nRF52805                  |
|----------------------------------|------------|-------------------------|-------------|---------------------------------------|------------|------------|---------------------------|
| RAYTAC Model No. (MDBTXX)        | 50Q series | 50Q series<br>50 series | 50 series   | 42Q series<br>42 series<br>42V series | 42Q series | 42Q Series | 42T series<br>42TV series |
| Bluetooth Direction Finding      |            | V                       | V           |                                       |            | V          |                           |
| Bluetooth 5 Long Range (125kbps) | V          | V                       | V           |                                       |            | V          |                           |
| Bluetooth 5 High Speed           | V          | V                       | V           | V                                     | V          | V          | V                         |
| Bluetooth 5 Ad. Extention (x8)   | V          | V                       | V           | V                                     | V          | V          | V                         |
| Flash (kBytes)                   | 1024       | 512                     | 256         | 512                                   | 192        | 192        | 192                       |
| RAM (kBytes)                     | 256        | 128                     | 32          | 64                                    | 24         | 24         | 24                        |
| ANT Plus                         | V          | V                       | V           | V                                     | V          | V          |                           |
| IEEE 802.15.4                    | V          | V                       | V           |                                       |            | V          |                           |
| ARM® TrustZone® Cryptocell       | V          |                         |             |                                       |            |            |                           |
| USB                              | V          | V                       | V           |                                       |            |            |                           |
| QSPI                             | V          |                         |             |                                       |            |            |                           |
| NFC                              | V          | V                       |             | V                                     |            |            |                           |
| I2S                              | V          | V                       |             | V                                     |            |            |                           |
| SPI, TWI, UART, PWM              | V          | V                       | V           | V                                     | V          | V          | without PWM               |
| PDM                              | V          | V                       |             | V                                     | V          | V          |                           |
| ADC, Comparators                 | V          | V                       | without ADC | V                                     | V          | V          | without comparators       |
| Supply Range (V)                 | 1.7 to 5.5 | 1.7 to 5.5              | 1.7 to 5.5  | 1.7 to 3.6                            | 1.7 to 3.6 | 1.7 to 3.6 | 1.7 to 3.6                |

## 12. Useful Links

- **Nordic Infocenter:** <https://infocenter.nordicsemi.com/index.jsp>  
All the necessary technical files and software development kits of Nordic's chip are on this website.
- **Nordic DevZone:** <https://devzone.nordicsemi.com/questions/>  
A highly recommended website for firmware developer. Interact, discuss and consult with other fellow developers and Nordic's employees to get answers to your questions. The site also includes tutorials in detail to help you get started.
- **Official Page of nRF52840 :** <https://www.nordicsemi.com/eng/Products/nRF52840>  
A brief introduction to nRF52840 and download links for Nordic's developing software and SoftDevices.

# Full List of Raytac's BLE Modules

## ● MDBT40 Series

| Series   | Nordic Solution | Raytac No.     | IC Ver. | Antenna      | RAM   | Flash Memory |
|----------|-----------------|----------------|---------|--------------|-------|--------------|
| MDBT40   | nRF51822        | MDBT40-256V3   | 3       | Chip Antenna | 16 kb | 256 K        |
|          |                 | MDBT40-256RV3  |         |              | 32 kb | 256 K        |
| MDBT40-P | nRF51822        | MDBT40-P256V3  | 3       | PCB Antenna  | 16 kb | 256 K        |
|          |                 | MDBT40-P256RV3 |         |              | 32 kb | 256 K        |

## ● MDBT42Q Series (QFN Package IC)

| Series    | Nordic Solution | Raytac No.      | IC Ver. | Antenna        | RAM   | Flash Memory |
|-----------|-----------------|-----------------|---------|----------------|-------|--------------|
| MDBT42Q   | nRF52832        | MDBT42Q-512KV2  | 2       | Chip Antenna   | 64 kb | 512 K        |
|           | nRF52810        | MDBT42Q-192KV2  | 2       |                | 24 kb | 192 K        |
|           | nRF52811        | MDBT42Q-192KL   | 1       |                |       |              |
| MDBT42Q-P | nRF52832        | MDBT42Q-P512KV2 | 2       | PCB Antenna    | 64 kb | 512 K        |
|           | nRF52810        | MDBT42Q-P192KV2 | 2       |                | 24 kb | 192 K        |
|           | nRF52811        | MDBT42Q-P192KL  | 1       |                |       |              |
| MDBT42Q-U | nRF52832        | MDBT42Q-U512KV2 | 2       | u.FL Connector | 64 kb | 512 K        |

## ● MDBT42 Series (WLCSP Package IC)

| Series   | Nordic Solution | Raytac No.     | IC Ver. | Antenna      | RAM   | Flash Memory |
|----------|-----------------|----------------|---------|--------------|-------|--------------|
| MDBT42   | nRF52832        | MDBT42-512KV2  | 2       | Chip Antenna | 64 kb | 512 K        |
| MDBT42-P |                 | MDBT42-P512KV2 |         | PCB Antenna  |       |              |

## ● MDBT42V Series (WLCSP Package IC)

| Series    | Nordic Solution | Raytac No.      | IC Ver. | Antenna      | RAM   | Flash Memory |
|-----------|-----------------|-----------------|---------|--------------|-------|--------------|
| MDBT42V   | nRF52832        | MDBT42V-512KV2  | 2       | Chip Antenna | 64 kb | 512 K        |
| MDBT42V-P |                 | MDBT42V-P512KV2 |         | PCB Antenna  |       |              |

## ● MDBT42T Series (WLCSP Package IC)

| Series    | Nordic Solution | Raytac No.    | IC Ver. | Antenna      | RAM   | Flash Memory |
|-----------|-----------------|---------------|---------|--------------|-------|--------------|
| MDBT42T   | nRF52805        | MDBT42T-192K  | 1       | Chip Antenna | 24 kb | 192 K        |
| MDBT42T-P |                 | MDBT42T-P192K |         | PCB Antenna  |       |              |

## ● MDBT42TV Series (WLCSP Package IC)

| Series     | Nordic Solution | Raytac No.     | IC Ver. | Antenna      | RAM   | Flash Memory |
|------------|-----------------|----------------|---------|--------------|-------|--------------|
| MDBT42TV   | nRF52805        | MDBT42TV-192K  | 1       | Chip Antenna | 24 kb | 192 K        |
| MDBT42TV-P |                 | MDBT42TV-P192K |         | PCB Antenna  |       |              |

## ● MDBT50Q Series (aQFN Package IC)

| Series    | Nordic Solution | Raytac No.    | IC Ver. | Antenna        | RAM    | Flash Memory |
|-----------|-----------------|---------------|---------|----------------|--------|--------------|
| MDBT50Q   | nRF52840        | MDBT50Q-1MV2  | 2       | Chip Antenna   | 256 kb | 1 MB         |
|           | nRF52833        | MDBT50Q-512K  | 1       |                | 128 kb | 512 kb       |
| MDBT50Q-P | nRF52840        | MDBT50Q-P1MV2 | 2       | PCB Antenna    | 256 kb | 1 MB         |
|           | nRF52833        | MDBT50Q-P512K | 1       |                | 128 kb | 512 kb       |
| MDBT50Q-U | nRF52840        | MDBT50Q-U1MV2 | 2       | u.FL Connector | 256 kb | 1 MB         |
|           | nRF52833        | MDBT50Q-U512K | 1       |                | 128 kb | 512 kb       |
| Dongle    | nRF52840        | MDBT50Q-RX    | 1, 2    | PCB Antenna    | 256 kb | 1 MB         |

## ● MDBT50 Series (QFN Package IC)

| Series   | Nordic Solution | Raytac No.   | IC Ver. | Antenna      | RAM    | Flash Memory |
|----------|-----------------|--------------|---------|--------------|--------|--------------|
| MDBT50   | nRF52820        | MDBT50-256R  | 1       | Chip Antenna | 32 kb  | 256 kb       |
|          | nRF52833        | MDBT50-512K  | 1       |              | 128 kb | 512 kb       |
| MDBT50-P | nRF52820        | MDBT50-P256R | 1       | PCB Antenna  | 32 kb  | 256 kb       |
|          | nRF52833        | MDBT50-P512K | 1       |              | 128 kb | 512 kb       |

## ● MDBT53 Series (WLCSP Package IC)

| Series   | Nordic Solution | Raytac No. | IC Ver. | Antenna        | RAM    | Flash Memory |
|----------|-----------------|------------|---------|----------------|--------|--------------|
| MDBT53   | nRF5340         | MDBT53-1M  | 1       | Chip Antenna   | 512 kb | 1 MB         |
| MDBT53-P | nRF5340         | MDBT53-P1M | 1       | PCB Antenna    | 512 kb | 1 MB         |
| MDBT53-U | nRF5340         | MDBT53-U1M | 1       | u.FL Connector | 512 kb | 1 MB         |

## ● MDBT53V Series (WLCSP Package IC)

| Series    | Nordic Solution | Raytac No.  | IC Ver. | Antenna      | RAM    | Flash Memory |
|-----------|-----------------|-------------|---------|--------------|--------|--------------|
| MDBT53V   | nRF5340         | MDBT53V-1M  | 1       | Chip Antenna | 512 kb | 1 MB         |
| MDBT53V-P | nRF5340         | MDBT53V-P1M | 1       | PCB Antenna  | 512 kb | 1 MB         |

# Release Note

- 2017/10/30 Pre-release
  
- 2018/01/19 Model no. officially changed to MDBT50Q-1M & MDBT50Q-P1M.
  
- 2018/04/10 Version A (1<sup>st</sup> release)
  
- 2018/06/12 Version B
  - (1) Added Chapter 4: Shipment Packaging Info and Chapter 7: Antenna.
  
- 2018/09/14 Version C
  - (1) Added link of design guide in Chapter 2
  - (2) Updated photo of module in Chapter 4 and added marking and tray info.
  - (3) Updated schematic in Chapter 8 for easier understanding.
  - (4) Updated Declaration ID & regional certification info in Chapter 9.
  - (5) Added “No-Wash” warning in Chapter 10.
  
- 2018/11/01 Version D
  - (1) Updated drawing in Chapter 2 for a better understanding of PCB measurement.
  - (2) Updated Chapter 4 with new label info.
  - (3) Added WPC (ETA) certificates in Chapter 9: Certification.
  
- 2019/05/03 Version E
  - (1) Updated model no. to MDBT50Q-1MV2 & MDBT50Q-P1MV2 because of revision 2 SoC.
  - (2) Updated Chapter 4: Shipment Packaging Info with new module photo, model no. and added tape & reel info.
  - (3) Updated Chapter 5: Specification corresponding to Nordic’s new nRF52840 Product Specification V1.1.
  - (4) Added nRF52811 in Chapter 11: Basic Facts for nRF52 Chips and Full List of Raytac’s BLE Modules.

- 2019/11/04 Version F
  - (1) Added wireless range under radio data rate of 125kbps on front page.
  - (2) Added tolerance information of PCB size and refined descriptions of layout suggestion in Chapter 2: Product Dimension.
  - (3) Updated certification information and added section 11 in Chapter 9: Certification.
  - (4) Added nRF52833 to the chart in Chapter 11: Basic Facts of nRF52 Family & Full List of Raytac 's BLE Modules.
  
- 2020/02/11 Version G
  - (1) Corrected description of SWDIO & SWCLK in section 5 and added remarks about low frequency GPIO in section 6 of Chapter 2.
  - (2) Refined description of default setting in Chapter 8.
  
- 2020/06/19 Version H
  - (1) Updated tolerance of PCB size in Chapter 2: Product Dimension.
  - (2) Corrected note “D-“ and “D+” in Chapter 8: Reference Circuit
  - (3) Added nRF52820 in Chapter 11: Basic Facts of nRF52 Family.
  - (4) Updated Full List of Raytac's BLE modules.
  
- 2020/12/30 Version I
  - (1) Updated information of T&R in Chapter 4: Shipment Packaging Information.
  - (2) Added BT 5.2 SIG approval & NCC Certificate in Chapter 9: Certification.
  - (3) Updated table in Chapter 11: Basic Facts for nRF52 Family.
  - (4) Updated Full List of Raytac's BLE Modules
  
- 2021/05/28 Version J
  - (1) Updated MPQ information for T&R package in Chapter 4: Shipment Packaging Information.
  - (2) Updated Chapter 5: Specification corresponding to Nordic's new nRF52840 Product Specification V1.2



- 2022/07/01 Version K
  - (1) Updated Chapter 4: 4.2.1 Tray Packaging with 4.2.2 Tape & Reel Packaging info.
  - (2) Updated Chapter 2: 2.3 RF Layout Suggestion (aka Keep-Out Area).
  - (3) Updated List of Raytac's Model no.
  - (4) Corrected Schematic and info in Chapter 8: Reference Circuit.
  - (5) Updated Chapter 5: Specification corresponding to Nordic's new nRF52840 Product Specification V1.7.
  
- 2023/05/24 Version L
  - (1) Updated drawing in Chapter 2 for a better understanding of PCB measurement & RF Layout Suggestion.